



TFV(Virgo) SERIES SPORT STADIUM LIGHT

www.seekingled.com



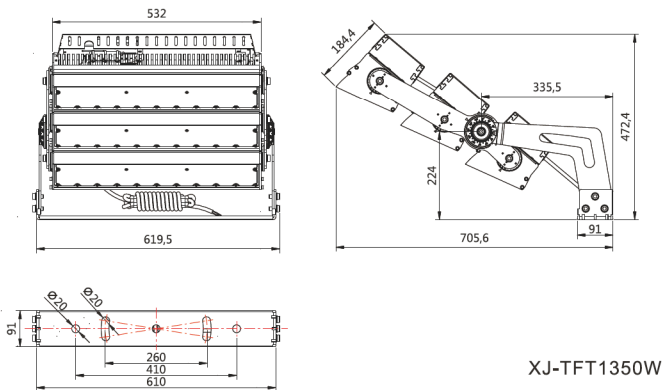
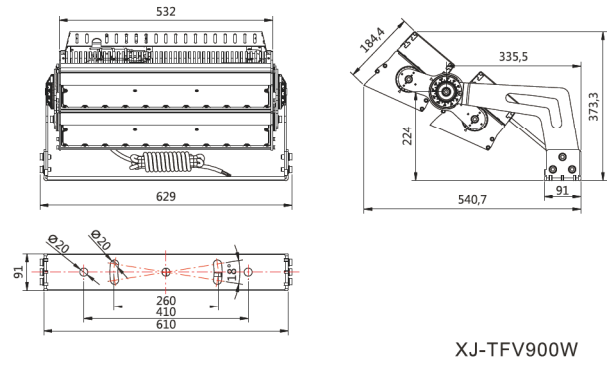
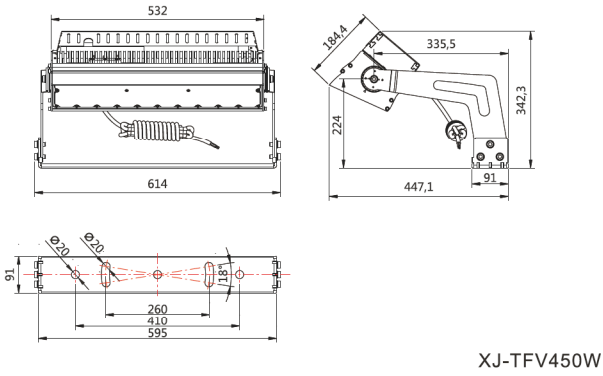
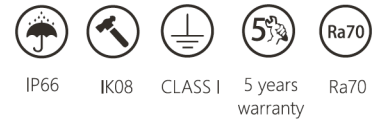
Virgo



Virgo series High Mast lighting provide solutions for sports lighting and high-pole lighting, and provide various light distribution designs from different angles to meet the lighting needs of different occasions. The protection grade reaches IK08 and IP66. Constant current power driver, anti-surge voltage up to 10KV, L80B20 can reach more than 100000 hours.



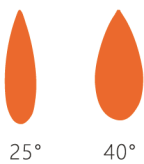
Dimension



Model NO.	Power (W)	Luminous Flux 155Lm/W
XJ-TFV450W-*	450	69750
XJ-TFV900W-*	900	139500
XJ-TFV1350W-*	1350	209250

Above lumens based on 4000K Ra:70

Light distribution curve

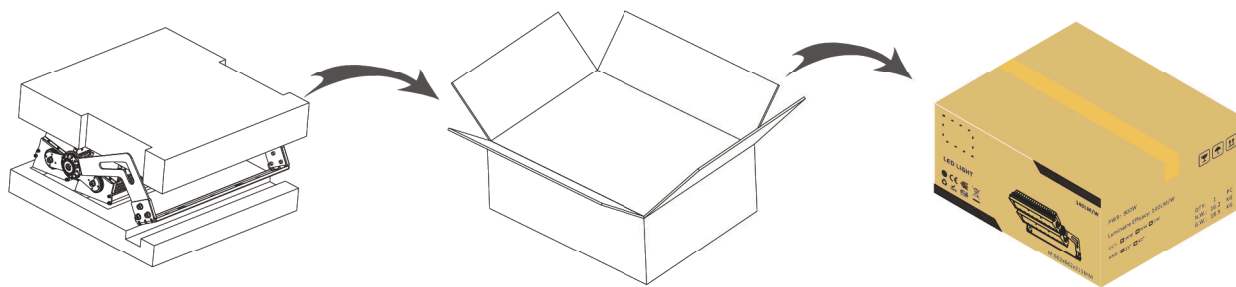


AC Input : 100-277V 50/60Hz
 Brand of LED Driver : INVENTRONICS
 Light Source : 3030
 CRI Range : Ra>70
 CCT Range : NW(4000K) CW(5700K)
 WW(3000K)(Optional) DW(5000K)(Optional)
 Light Efficiency : 155±5% Lm/W
 Beam Angle : 25°/ 40°
 Housing : Aluminum Alloy
 Surge Protection : 10kV
 Waterproof : IP66 & IK08
 L80B20@25°C : >100000H
 PF:≥0.95 THD<15% Power Efficiency:≥0.9
 Certifications: TUV, ENEC, CE, CB
 Warranty : 5 Years



Dimmable/Time controlled dimming

Package



Model	Qty.	N.W.(kg)	G.W.(kg)	Meas(mm)
XJ-TFV450W	1PC/CTN	8.6	10.6	662x565x291
XJ-TFV900W	1PC/CTN	16.2	18.5	662x662x315
XJ-TFV1350W	1PC/CTN	23.1	26.0	862x662x356

Mounting accessories



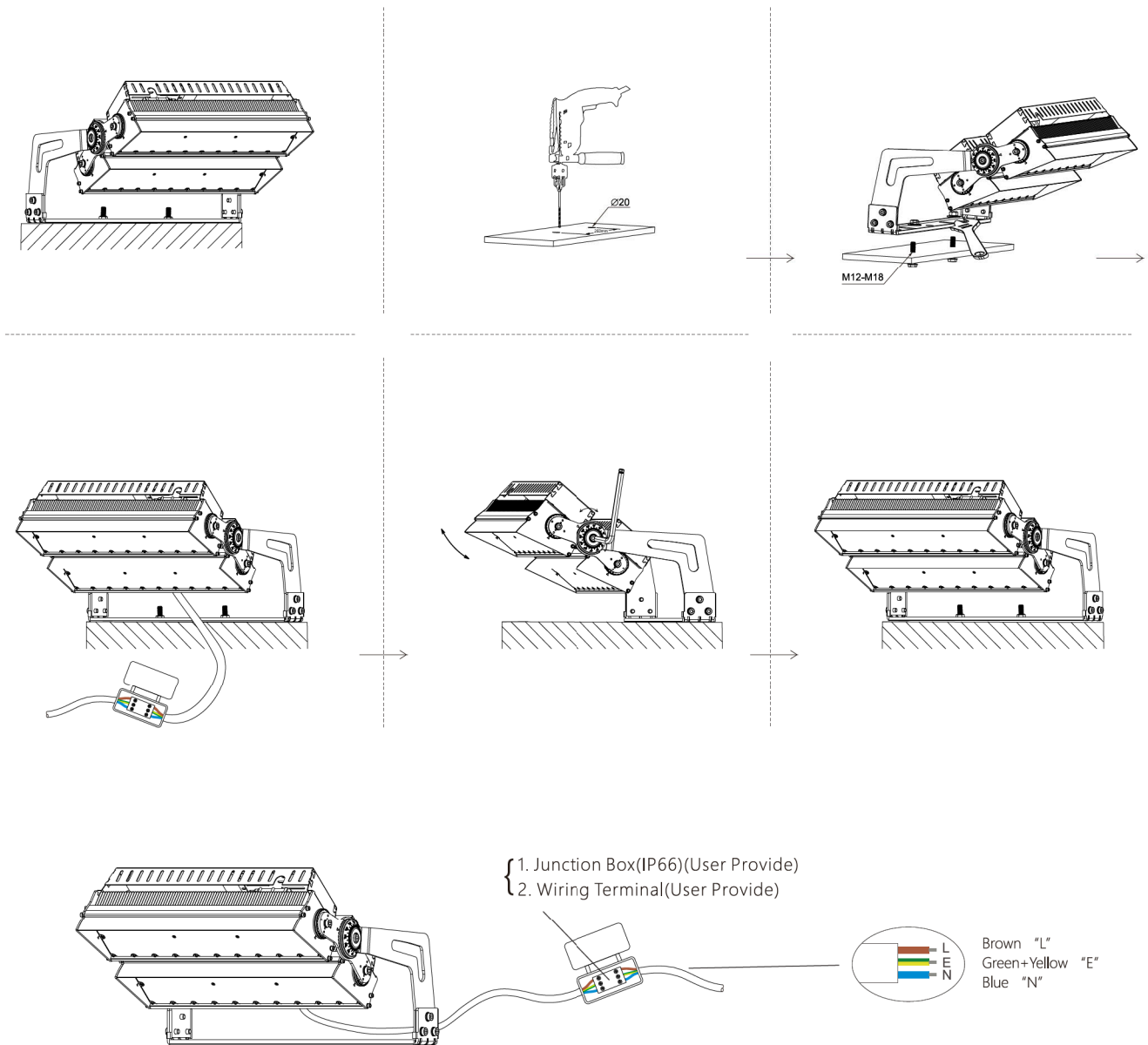
A06



A07

accessories	image	material	dimensions	weight	accessory use
Optional	A06	Aluminium	∅30x120mm	200g	Lamp angle positioning
Optional	A07	SUS304	∅5x1000mm	0.6kg	Increase the safety performance

Installation



Installation steps

- A :Punch two holes with a spacing of 260mm
- B : The hole of the lamp bracket aligned with the installation position.
- C: Fix the lamp with screws and nuts.
- D. Connect the power cable.
- E: Adjust the lamp angle and clean it.

Note : Please make sure the power off before operation, Installation must be performed by skilled electrician who are familiar with the requirements and proper installation methods of LED luminaire, In order to avoid damage or hazard;
The external TFV cable or cord of this luminaire can not be replaced, if the cord is damaged, the luminaire must be destroyed;
The light source contained in this luminaire shall only be replaced by a qualified person;