

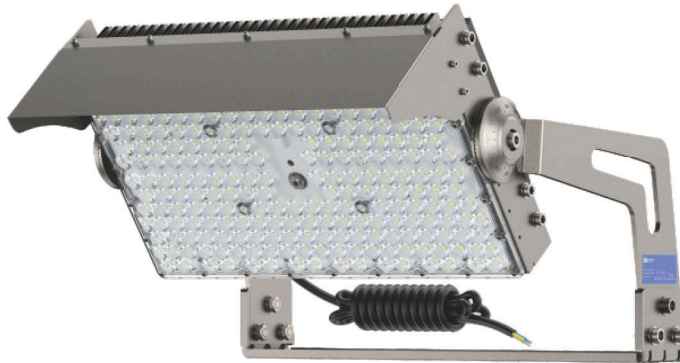


TFC(Capricorn) SERIES SPORT STADIUM LIGHT

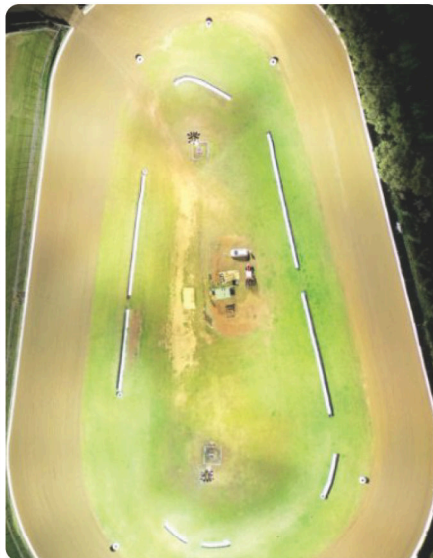
www.seekingled.com



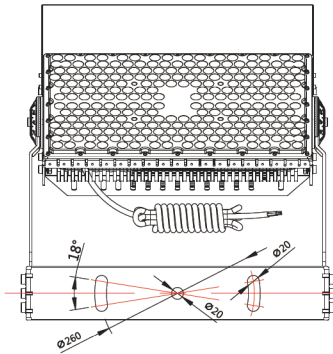
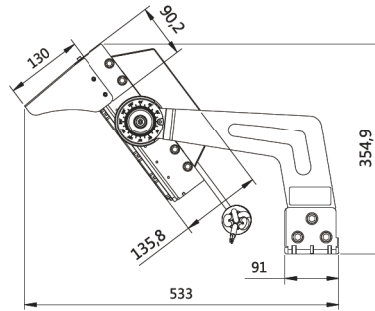
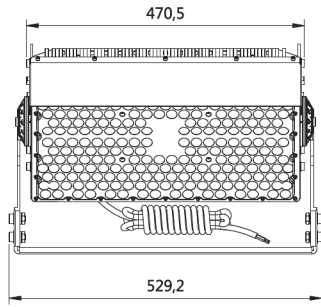
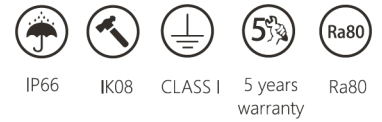
Capricorn



Capricorn series High Mast lighting provide solutions for sports lighting and high-pole lighting, and provide various light distribution designs from different angles to meet the lighting needs of different occasions. The protection grade reaches IK08 and IP66. Constant current power driver, anti-surge voltage up to 10KV, L80B20 can reach more than 100000 hours.



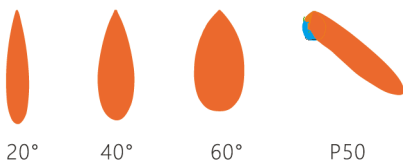
Dimension



Model NO.	Power (W)	Luminous Flux 150lm/W
XJ-TFC600W-*	600	90000

Above lumens based on 4000K Ra:80

Light distribution curve

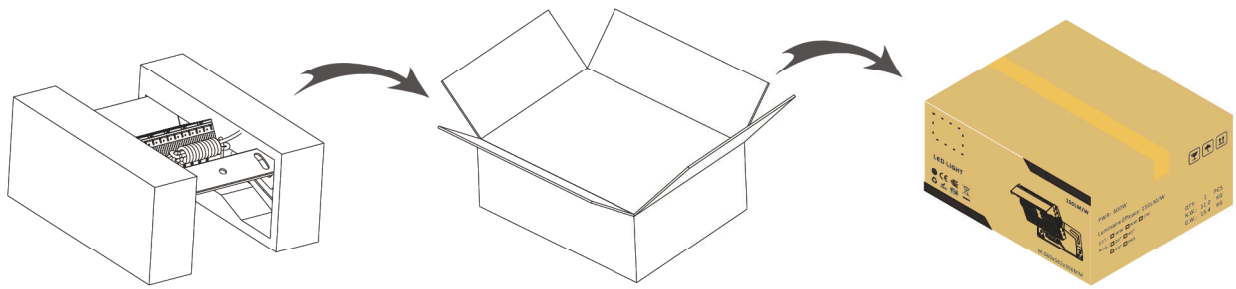


AC Input : 100-277V 50/60Hz
 Brand of LED Driver : INVENTRONICS
 Light Source : 5050
 CRI Range : Ra>80
 CCT Range : NW(4000K) CW(5700K)
 WW(3000K)(Optional) DW(5000K)(Optional)
 Light Efficiency : 150±5% Lm/W
 Beam Angle : 20°/ 40°/ 60°/ P50
 Housing : Aluminum Alloy
 Surge Protection : 10kV
 Waterproof : IP66 & IK08
 L80B20@25°C : >100000H
 PF:≥0.95 THD<15% Power Efficiency:≥0.9
 Certifications: TUV, ENEC, CE, CB, SAA
 Warranty : 5 Years



Dimmable/Time controlled dimming

Package



Model	Qty.	N.W.(kg)	G.W.(kg)	Meas(mm)
XJ-TFC600W	1PC/CTN	11.0	13.4	660x562x306

Mounting accessories



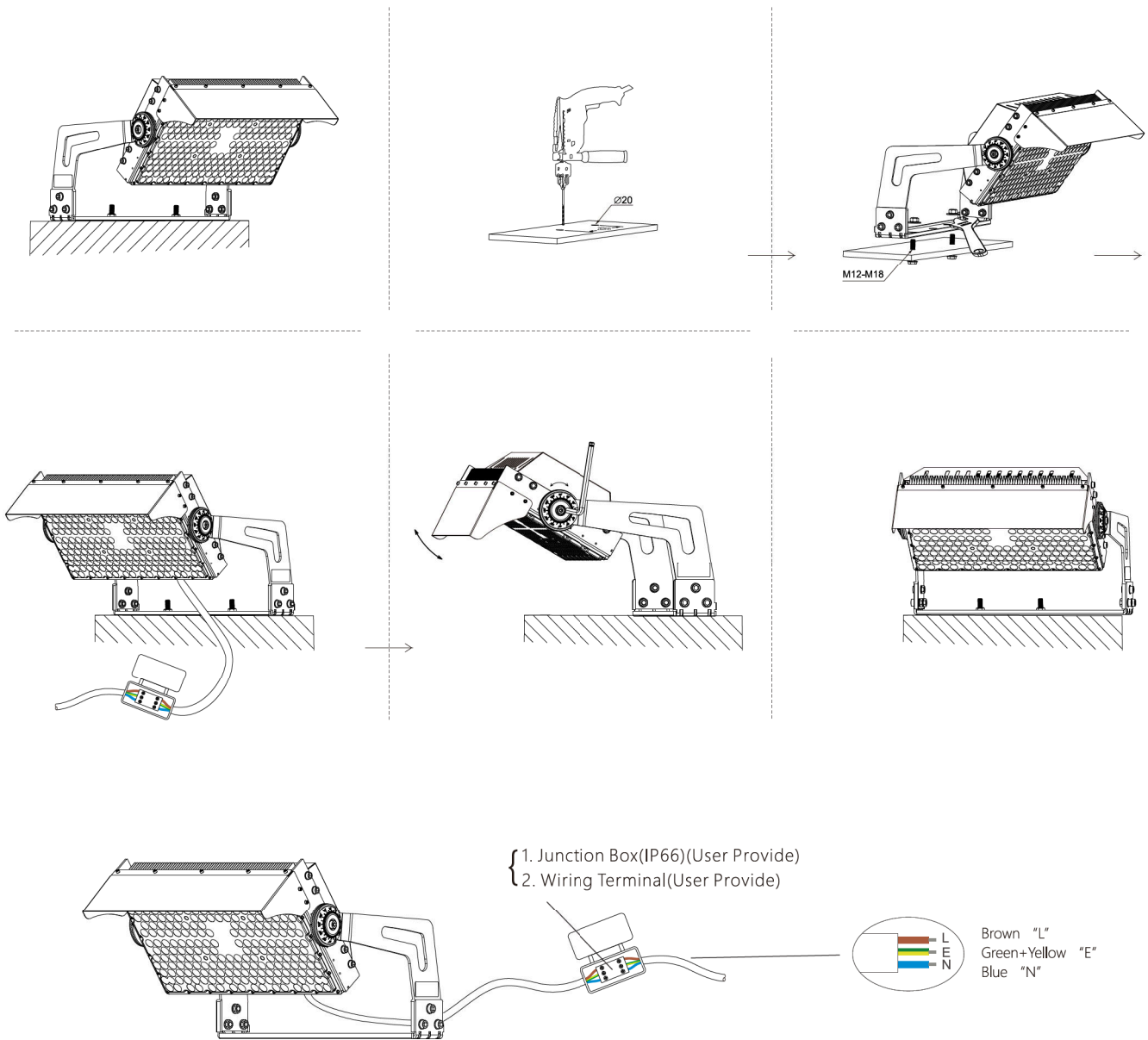
A06



A07

accessories	image	material	dimensions	weight	accessory use
Optional	A06	Aluminium	Ø30x120mm	200g	Lamp angle positioning
Optional	A07	SUS304	Ø5x1000mm	0.6kg	Increase the safety performance

Installation



- 1. Junction Box(IP66)(User Provide)
- 2. Wiring Terminal(User Provide)



Installation steps

- A :Punch two holes with a spacing of 260mm
- B : The hole of the lamp bracket aligned with the installation position.
- C: Fix the lamp with screws and nuts.
- D. Connect the power cable.
- E: Adjust the lamp angle and clean it.

Note : Please make sure the power off before operation, Installation must be performed by skilled electrician who are familiar with the requirements and proper installation methods of LED luminaire, In order to avoid damage or hazard; The external TFC cable or cord of this luminaire can not be replaced, if the cord is damaged, the luminaire must be destroyed; The light source contained in this luminaire shall only be replaced by a qualified person;