



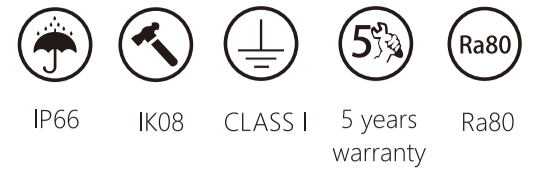
FLE(GEMINI) SERIES LED FLOOD LIGHT

www.seekingled.com

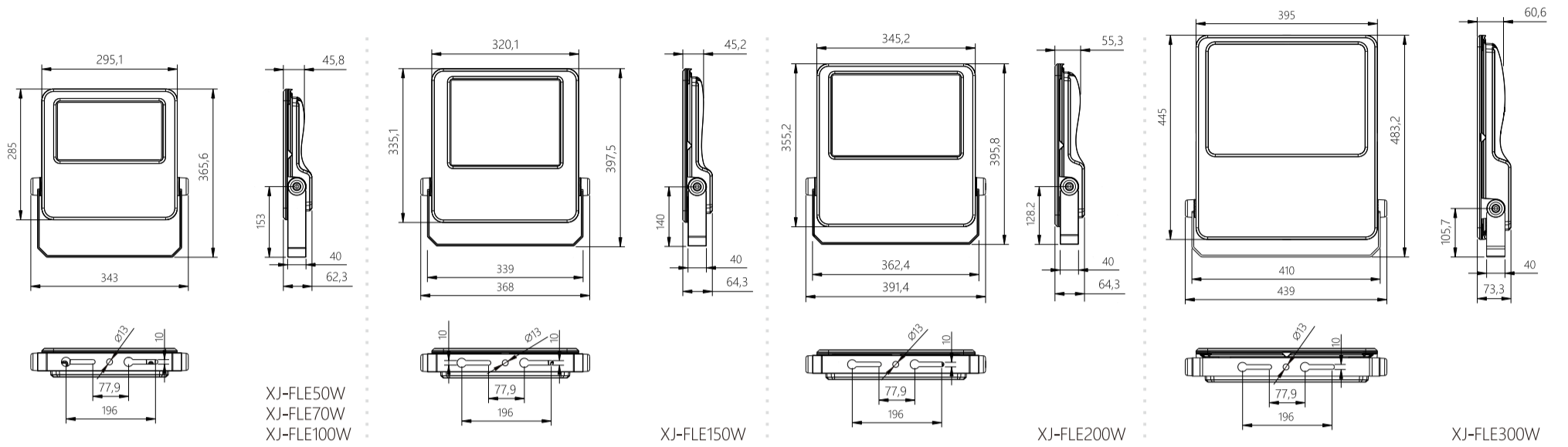


Gemini series flood light provides a solution for recreational sports and area lighting, Provides a variety of different angles of light distribution design to meet the lighting needs of different occasions. Tempered Glass and Polycarbonate Optical Lens, Protection level up to IK08 and IP66. Constant Current Power Driver, L80B20 can reach more than 100,000 hours.





Dimension



Parameter

Model NO.	Power (W)	Luminous Flux 170lm/W
XJ-FLE50W	50	8500
XJ-FLE70W	70	11900
XJ-FLE100W	100	17000
XJ-FLE150W	150	25500
XJ-FLE200W	200	34000
XJ-FLE300W	300	51000

AC Input : 100-277V 50/60Hz

Brand of LED Driver : LIFUD/MEAN WELL

Light Source : 2835/ 5050(P45 Optics Lens)

CRI Range : Ra>80

CCT Range : NW(4000K) CW(5700K)

WW(3000K)(Optional) DW(5000K)(Optional)

Light Efficiency : 170±5% Lm/W

Beam Angle : 35°/ 60°/ 90°/ 120°/ 120x60°/ P45

Housing : Aluminum Alloy

Waterproof : IP66 & IK08

L80B20@25°C : >100000H

PF:≥0.95 THD<15% Power Efficiency:≥0.9

Certifications: TUV, CE, CB, UKCA, SAA

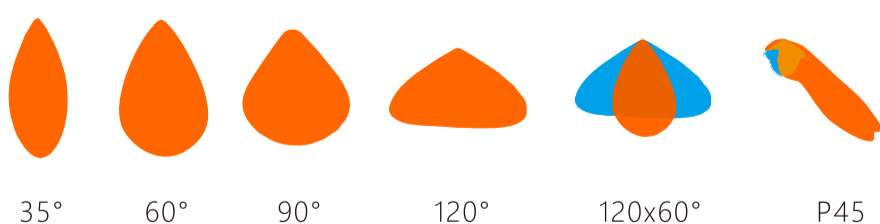
Warranty : 5 Years

Above lumens based on 4000K Ra:80

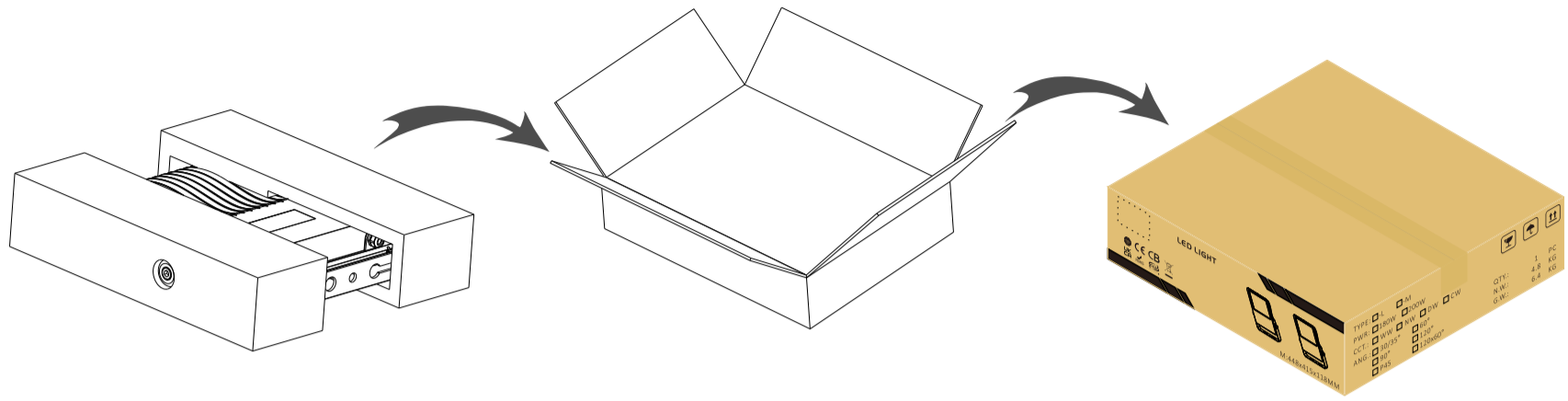


Dimmable

Light distribution curve



Package



Model	Qty.	N.W.(kg)	G.W.(kg)	Meas(mm)
XJ-FLE50W-* XJ-FLE70W-* XJ-FLE100W-*	1Pc/ctn	3.2	3.7	419x365x116
XJ-FLE150W-*	1Pc/ctn	3.9	4.5	448x391x118
XJ-FLE200W-*	1Pc/ctn	4.8	5.6	448x415x118
XJ-FLE300W-*	1Pc/ctn	6.1	7.2	535x462x127

Mounting accessories



accessories	image	material	dimensions	weight	accessory use
Optional (only 200W&300W)	A01	sus304	350x218x58mm 400x271x57mm	0.35kg 0.40kg	Protective the glass cover
Optional	A02	carbon steel	686x160x75mm	2.1kg	Wall extension installation
Optional	A03	carbon steel	850x103x80mm	3.7kg	Installation on top of lamp pole
Optional	A04	carbon steel	350x174x50mm	1.0kg	Wall corner mounted lamp
Optional	A05	carbon steel	200x100x50mm	1.3kg	Round pole mounted lamp

Installation

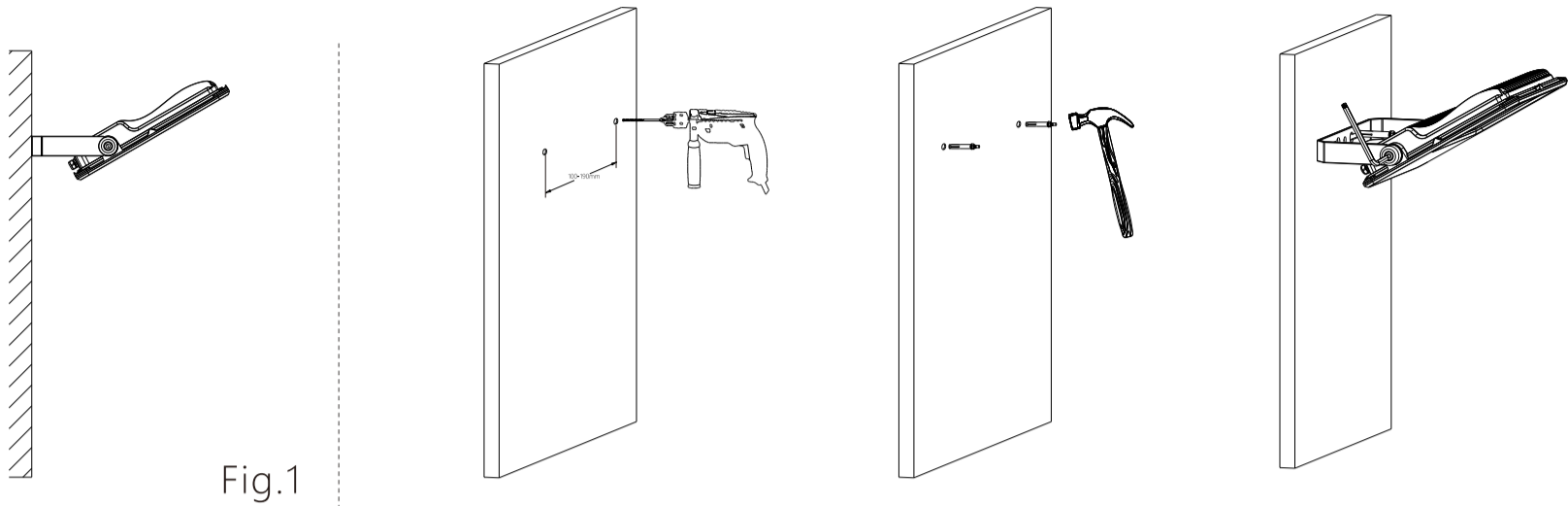


Fig.1

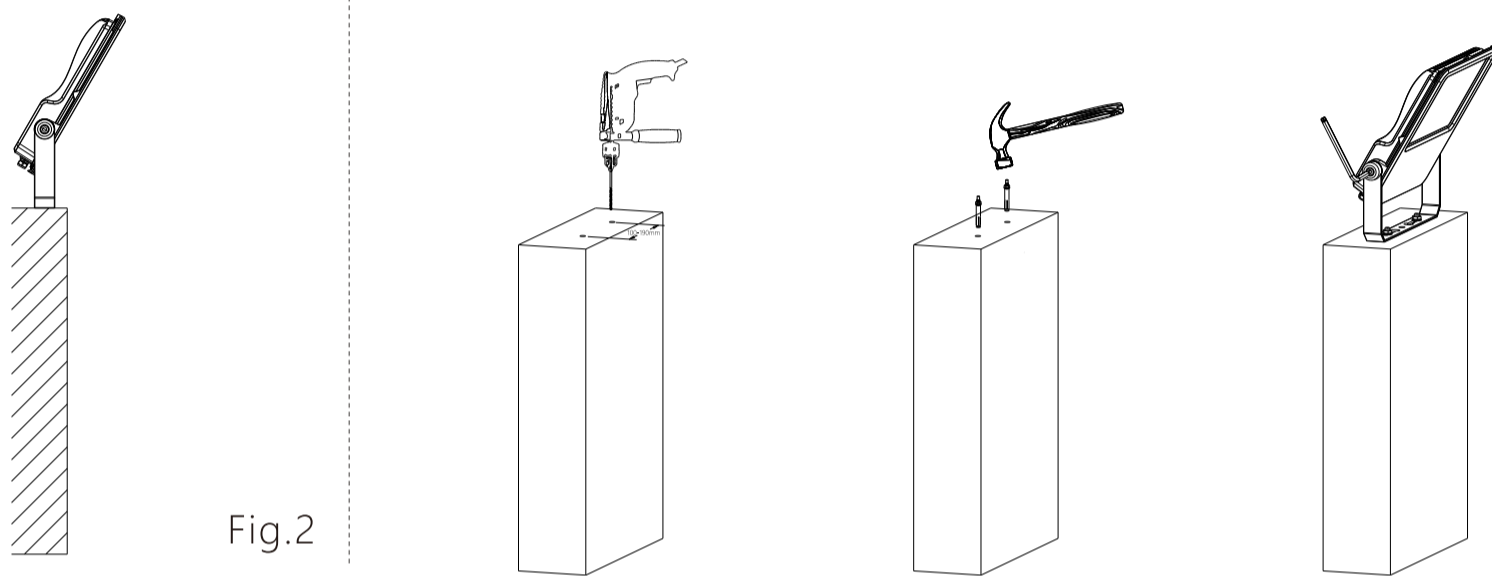
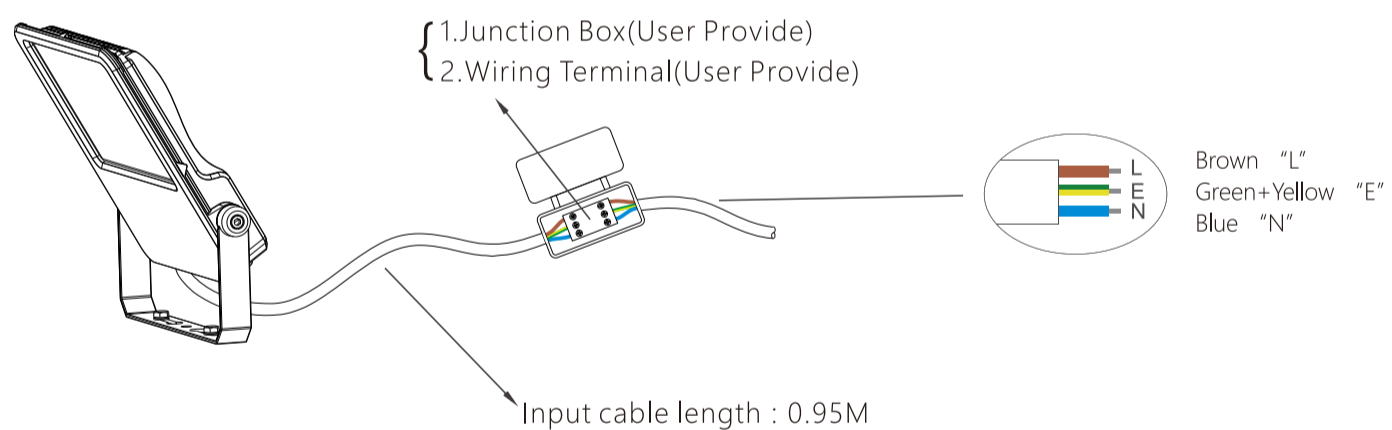


Fig.2

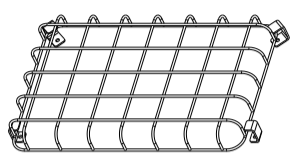


Installation steps

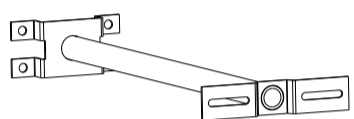
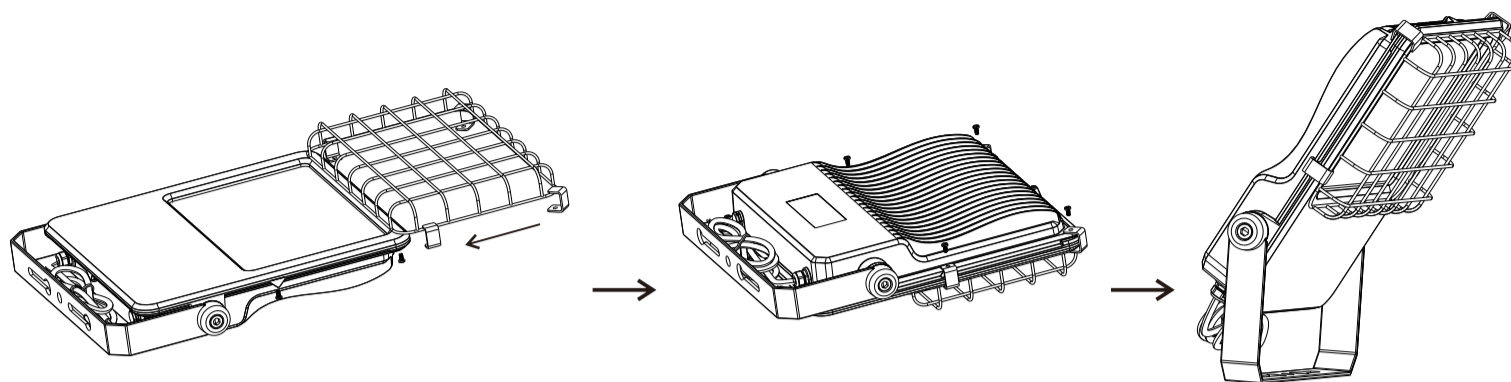
- A :Punch two holes with a spacing of 100-190mm
- B : Install the setscrews.
- C: Put the lamp card into the setscrews and lock it tightly.
- D. Connect the power cable.
- E: Adjust the lamp angle and clean it.

Note : Please make sure the power off before operation, Installation must be performed by skilled electrician who are familiar with the requirements and proper installation methods of LED luminaire. In order to avoid damage or hazard; The external flexible cable or cord of this luminaire can not be replaced, if the cord is damaged, the luminaire must be destroyed; The light source contained in this luminaire shall only be replaced by a qualified person;

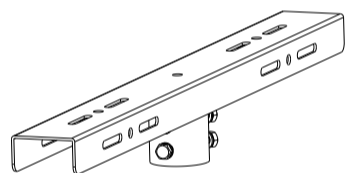
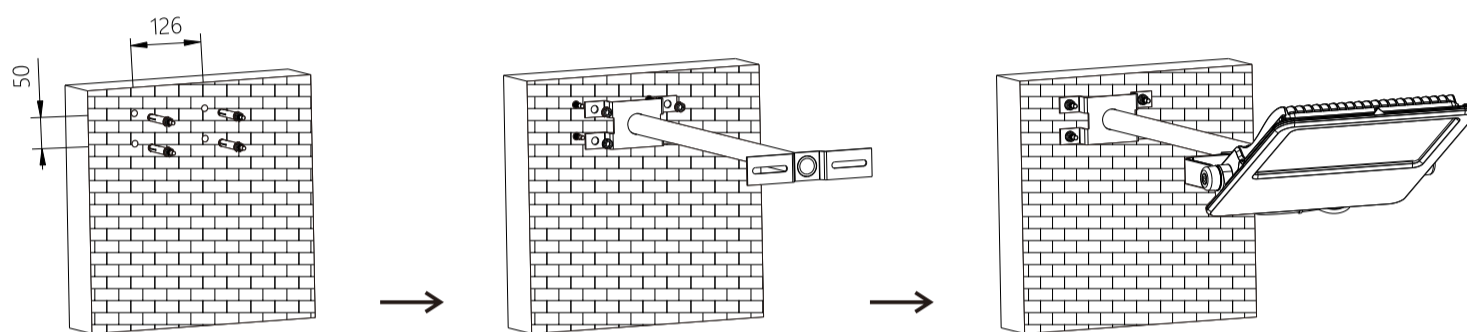
accessories installation



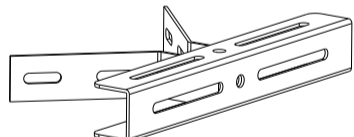
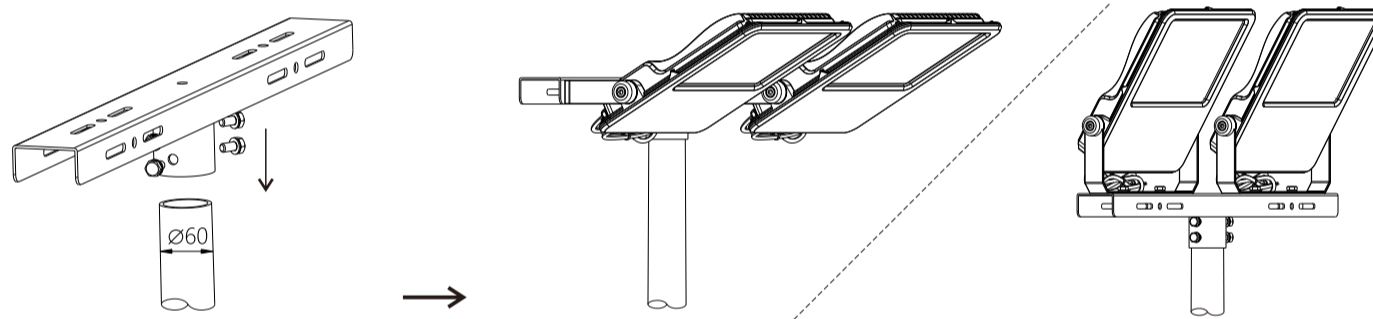
A01



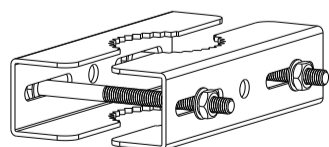
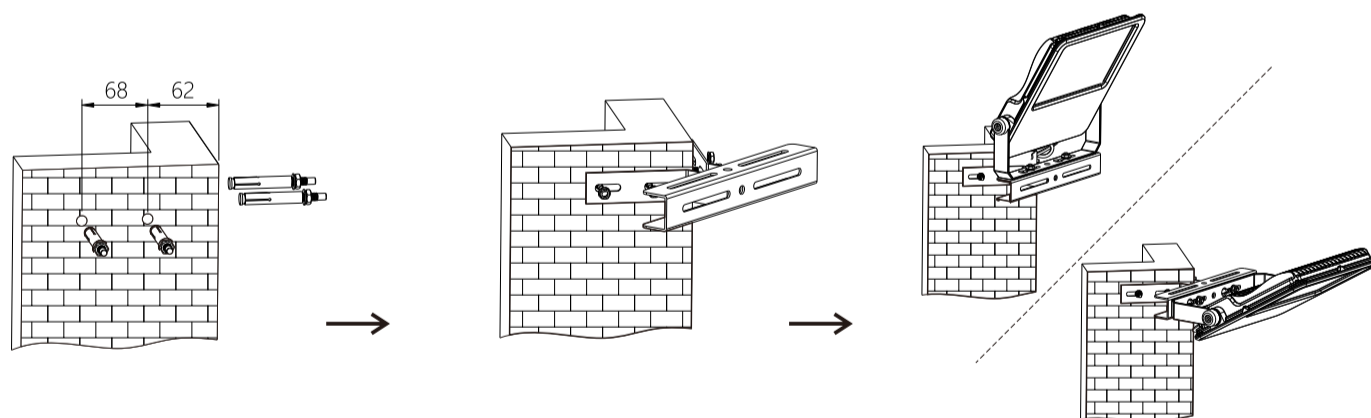
A02



A03



A04



A05

