

## FLX Series Flood Light



80W/100W/  
120W/150W

180W/200W/240W

260W/280W/300W

Small size: XJ-FLX80W, XJ-FLX100W, XJ-FLX120W, XJ-FLX150W

Medium size: XJ-FLX180W, XJ-FLX200W, XJ-FLX240W

Big size: XJ-FLX260W, XJ-FLX280W, XJ-FLX300W

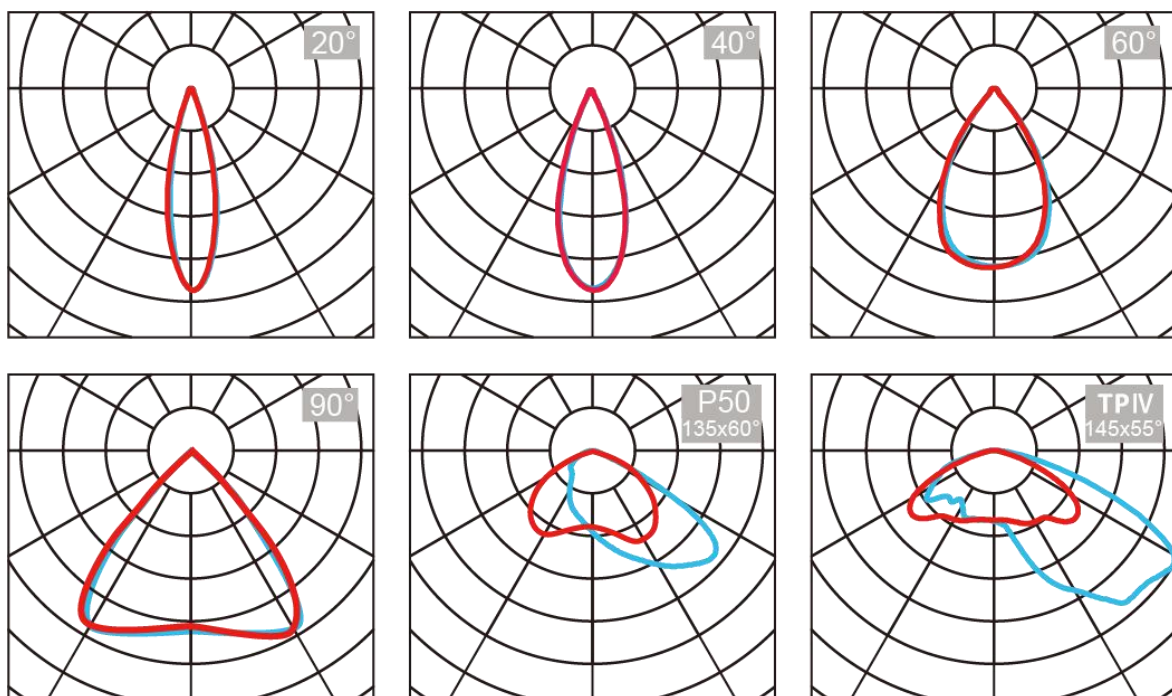
## Features

FLX series flood light provides a solution for recreational sports and area lighting, Provides a variety of different angles of light distribution design to meet the lighting needs of different occasions.

Products using Philips Light Source and MEAN WELL Constant Current Power Driver, L80B20 can reach more than 50,000 hours. Tempered Glass and Polycarbonate Optical Lens, Protection level up to IK08 and IP66.

## Photometry

Wide choice of optics to suit more applications (asymmetrical and symmetrical).



## Specifications

Item NO.	XJ-FLX80W / XJ-FLX100W / XJ-FLX120W/ XJ-FLX150W XJ-FLX180W / XJ-FLX200W/ XJ-FLX240W XJ-FLX260W / XJ-FLX280W / XJ-FLX300W
Brand of LED Chips	LUMILEDS LED (5050)
LED Quantity	72PCS(80-150W) / 90PCS(180-240W) / 144PCS(260-300W)
Brand of LED Driver	MeanWell
Driver Type	Constant Current (CC)
Input Voltage &Frequency	100-305Vac 50/60Hz
Luminous Flux	42000LM /300W
LED Luminaire Efficacy	>140LM/W
Housing	Aluminum Alloy
Finish	Powder Coating
Fixture Color	Black
Optics	Tempered Glass and Polycarbonate Optical Lens
IP/IK Rating	IP66/IK08
Operating Temperature	-40-50°C
Dimmable	Dimmable and Non-dimmable
L80B20@25°C	>50000H
Intelligent Control	DALI / Zigbee / Photocell
Beam Angle	20°, 40°, 60°, 90°, TPIV(145x55°), P50(135x60°)
Certifications	CB, ENEC, CE, ROHS, SAA
Warranty	5 Years

Note: Light optic with a little deviation for different color temperature LED , deviation value≤10%

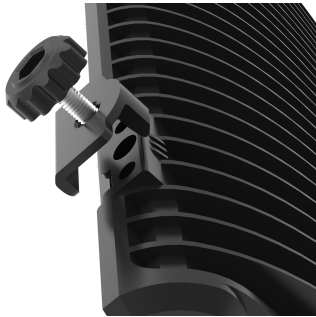
## Innovation design

### 1. Die cast aluminum alloy housing



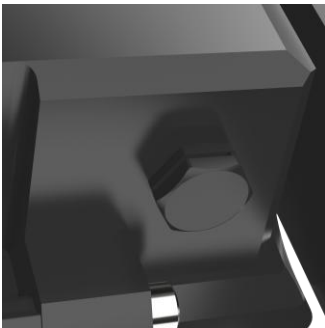
- ※ Aerodynamic flow bring excellent cooling performance
- ※ Very Fashionable Industrial Design

### 2. Buckle design



- ※ The Housing- Tool-free open
- ※ LED Driver- Easy to install or disassemble
- ※ Easy for installation and maintenance

### 3. Respirator



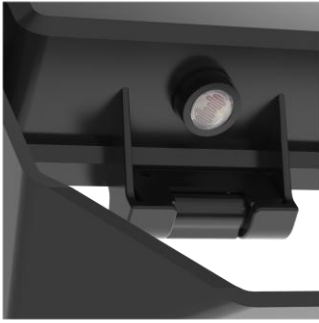
- ※ Avoid internal fogging and frosting

### 4. Optics /lens + tempered glass



- ※ Double protection
- ※ PC lens resist against UV rays, chemicals, yellowing, impact and dust collection

## 5. Built-in Optical Controller



※ Built-in optical controller design, Intelligent turn on and turn off lights according to ambient brightness

## 6. Additional Cover

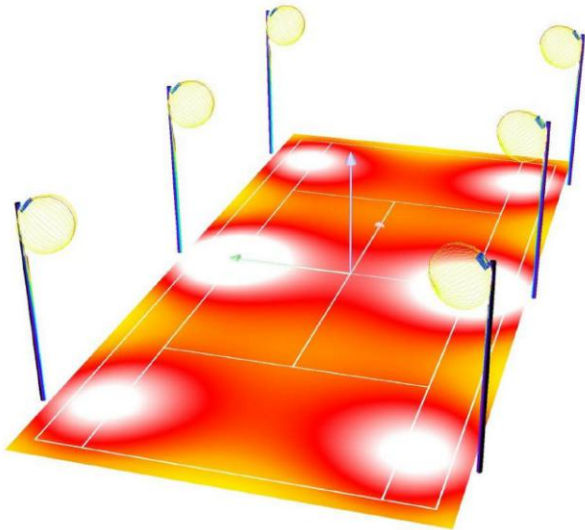


※ Design of the added hood, Reducing Light Pollution

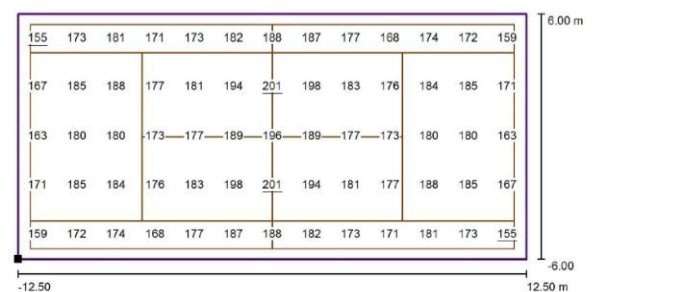
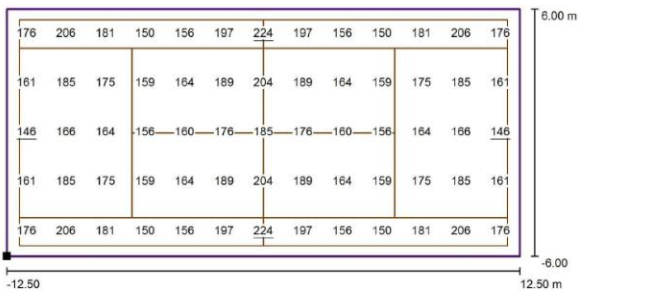
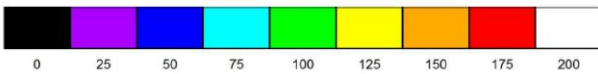
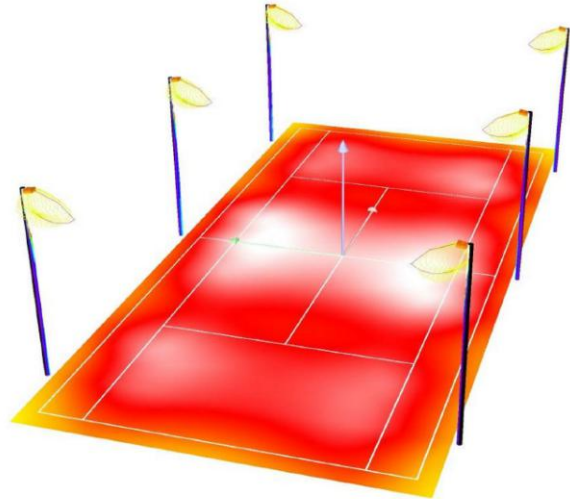


# Dialux Simulation Comparison

200W ordinary 120°



150W asymmetrical P50



Position of surface in external scene:  
Marked point: (-12.500 m, -6.000 m, 0.000 m)



Grid: 13 x 5 Points

$E_{av}$  [lx] 175     $E_{min}$  [lx] 146     $E_{max}$  [lx] 224     $u0$  0.83     $E_{min} / E_{max}$  0.65

Position of surface in external scene:  
Marked point: (-12.500 m, -6.000 m, 0.000 m)



Grid: 13 x 5 Points

$E_{av}$  [lx] 179     $E_{min}$  [lx] 155     $E_{max}$  [lx] 201     $u0$  0.87     $E_{min} / E_{max}$  0.77

Standard tennis courts 36\*18M, install height is 6M

LED 150W asymmetrical P50 average lux is 179lx,  $u0 = 0.87$ ,  $u1=0.77$

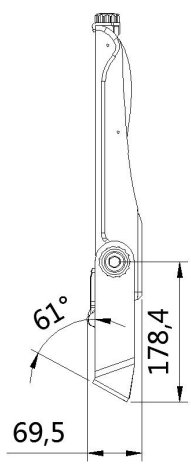
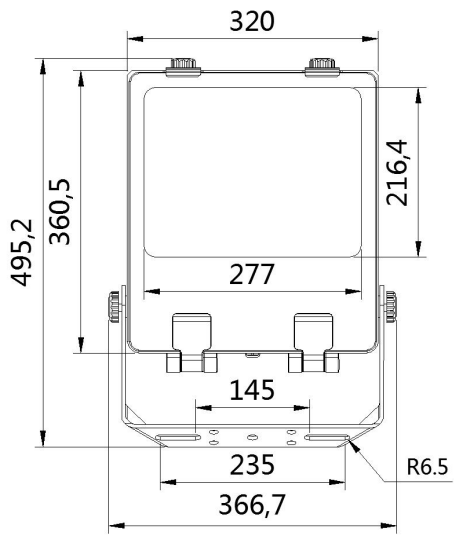
LED 200W ordinary 120° average lux is 175lx only,  $u0 = 0.83$ ,  $u1=0.65$

**Lower watt but better performance!**

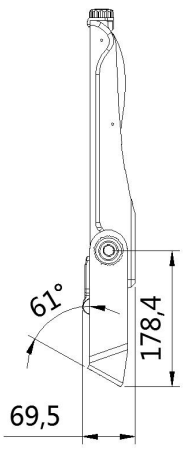
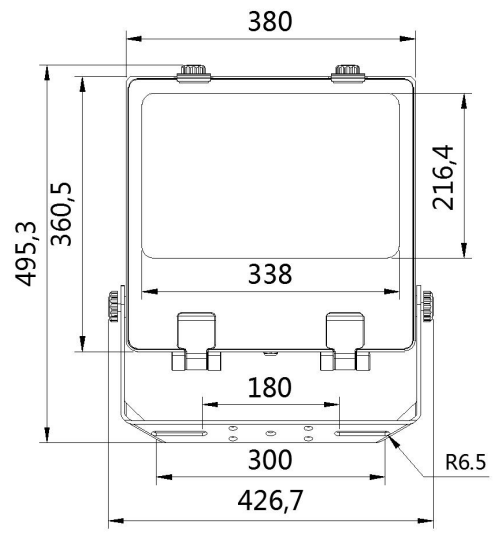
# Applications



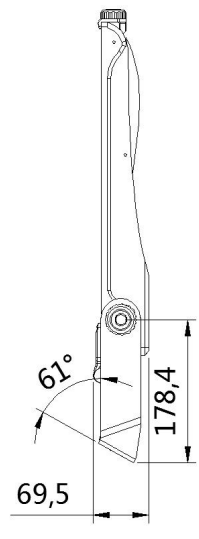
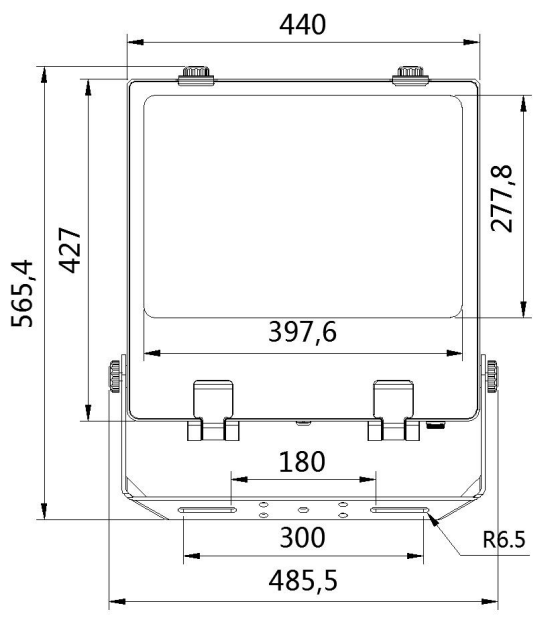
**Dimension**



Small Size



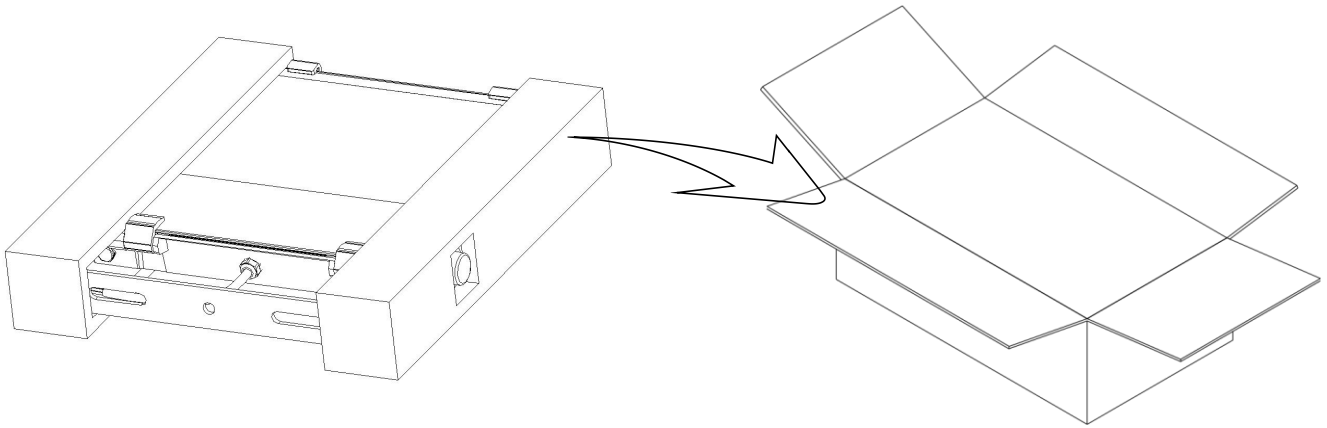
Medium Size



Big Size



**Packing**



Model	Carton Size	Qty.	N.W.	G.W.
80W/100W/ 120W/150W	52.2x40.0x14.0 cm	1PCS/CTN	5.2Kg	6.0Kg
180W/200W/240W	52.2x46.0x14.0 cm	1PCS/CTN	6.0Kg	7.0Kg
260W/280W/300W	59.5x52.0x14.0cm	1PCS/CTN	8.8Kg	10.0Kg