

GSL Series High Bay Light



Specifications

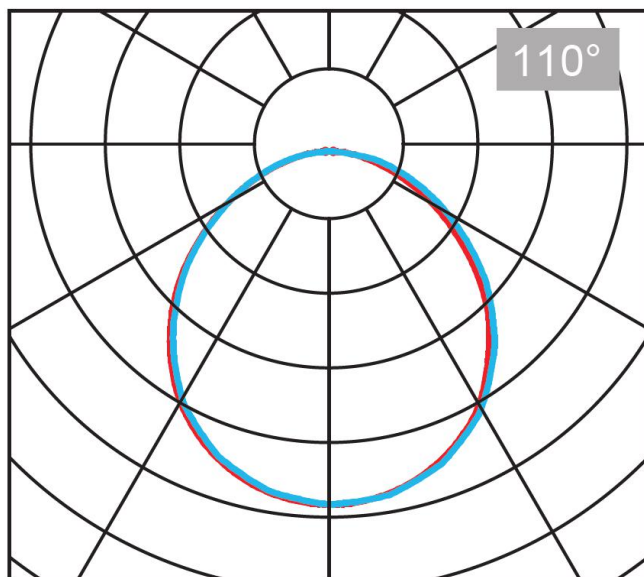
Item NO.	XJ-GSL100W / XJ-GSL150W / XJ-GSL200W
Brand of LED Chips	LED 2835
LED QTY.	210PCS(100W) / 320PCS(150W) / 440PCS(200W)
Brand of LED Driver	Meanwell / SOSEN
Driver Type	Constant Current (CC)
Input Voltage & Frequency	100-277Vac 50/60Hz
Luminous Flux	28000LM /200W
CRI	80
LED Luminaire Efficacy	140±5%LM/W
Housing	Aluminum Alloy
Finish	Powder Coating
Fixture Color	Blue
Optics	PC lampshade
IP Rating	IP65
Operating Temperature	-40-60℃
Dimmable	Dimmable and Non-dimmable
L80B20	>100000H
Intelligent Control	DALI / Microwave Sensor Control
Beam Angle	110°
Certifications	EX, TUV, CE, RoHS, SAA
Warranty	5 Years

Note: Light optic with a little deviation for different color temperature LED · deviation value≤10%

Pictures

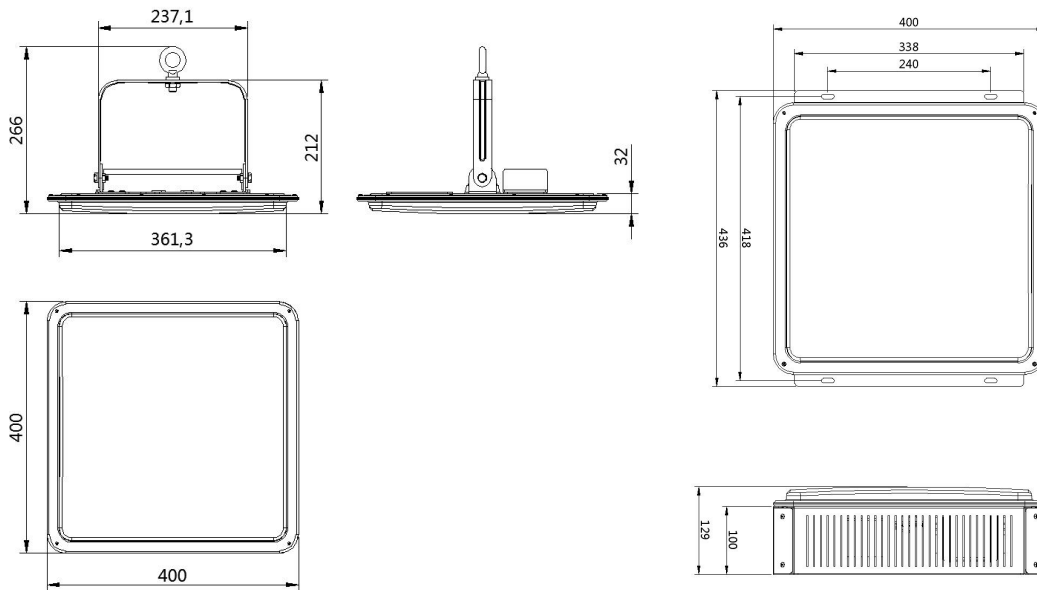


Photometry

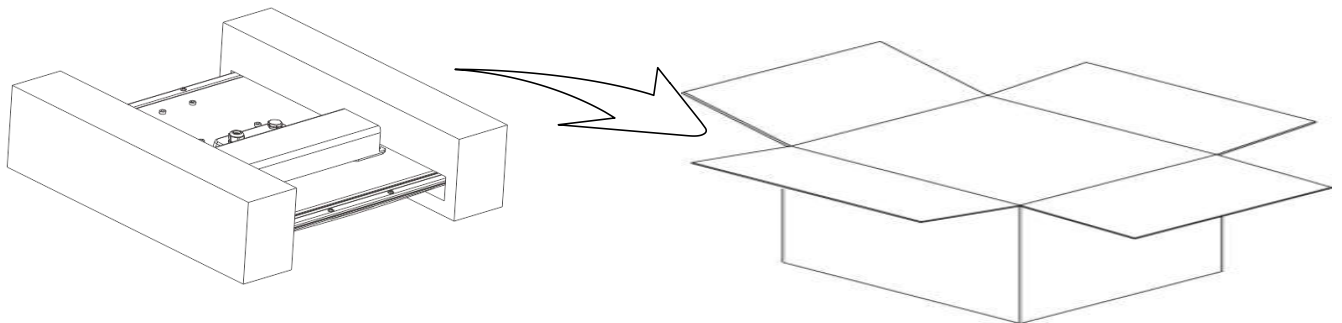


Dimension

Unit: mm



Packing



Model	Carton Size	Qty.	N.W.	G.W.
XJ-GSL100W	45.0x45.0x13.2cm	1PC/Ctn	3.4Kg	4.4Kg
XJ-GSL150W	45.0x45.0x13.2cm	1PC/Ctn	3.5Kg	4.5Kg
XJ-GSL200W	45.0x45.0x13.2cm	1PC/Ctn	4.0Kg	5.2Kg