



HBC SERIES LED HIGH BAY

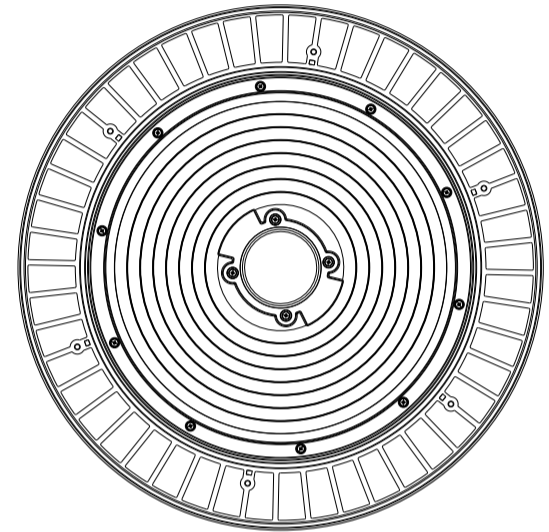
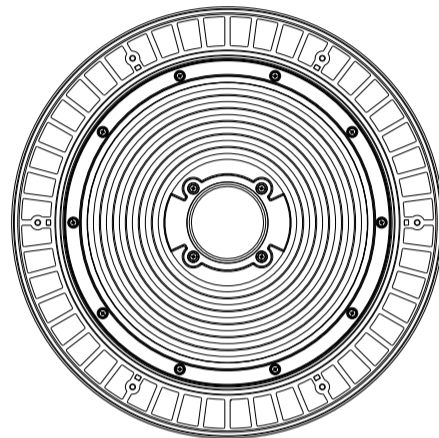
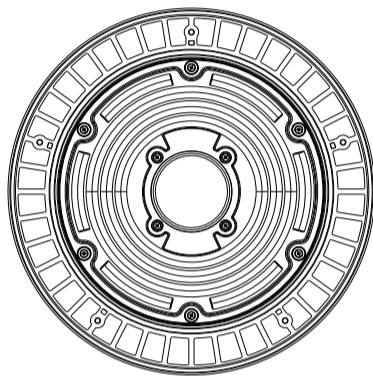
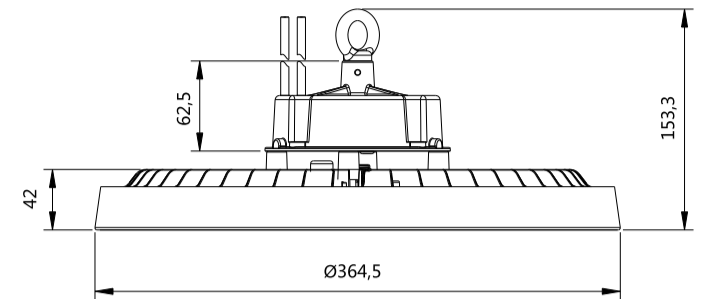
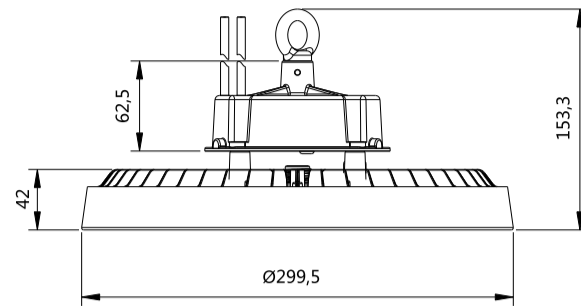
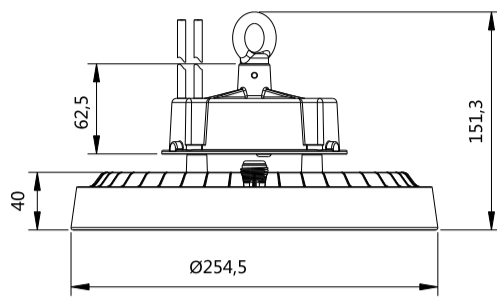
www.seekingled.com



HBC series high bay light provides a solution for production workshop, large logistics warehouse, construction site, airport/dock/high-speed rail waiting room and shoppingmall, Provide luminous angles of 60 and 90 degrees of light distribution design to meet the lighting needs of different occasions. Protection level up to IK08 and IP66. Constant Current Power Driver, L80B20 can reach more than 100,000 hours.



Dimension



XJ-HBC100W / XJ-HBC150W

XJ-HBC200W

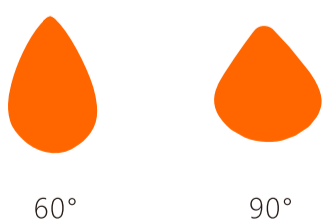
XJ-HBC240W

Parameter

Model NO.	Power (W)	Luminous Flux (150lm/W) / (170lm/W)
XJ-HBC100W-*-15	100	15000
XJ-HBC100W-*-17	100	17000
XJ-HBC150W-*-15	150	22500
XJ-HBC150W-*-17	150	25500
XJ-HBC200W-*-15	200	30000
XJ-HBC200W-*-17	200	34000
XJ-HBC240W-*-15	240	36000
XJ-HBC240W-*-17	240	40800

Above lumens based on 5700K Ra:80

Light distribution curve



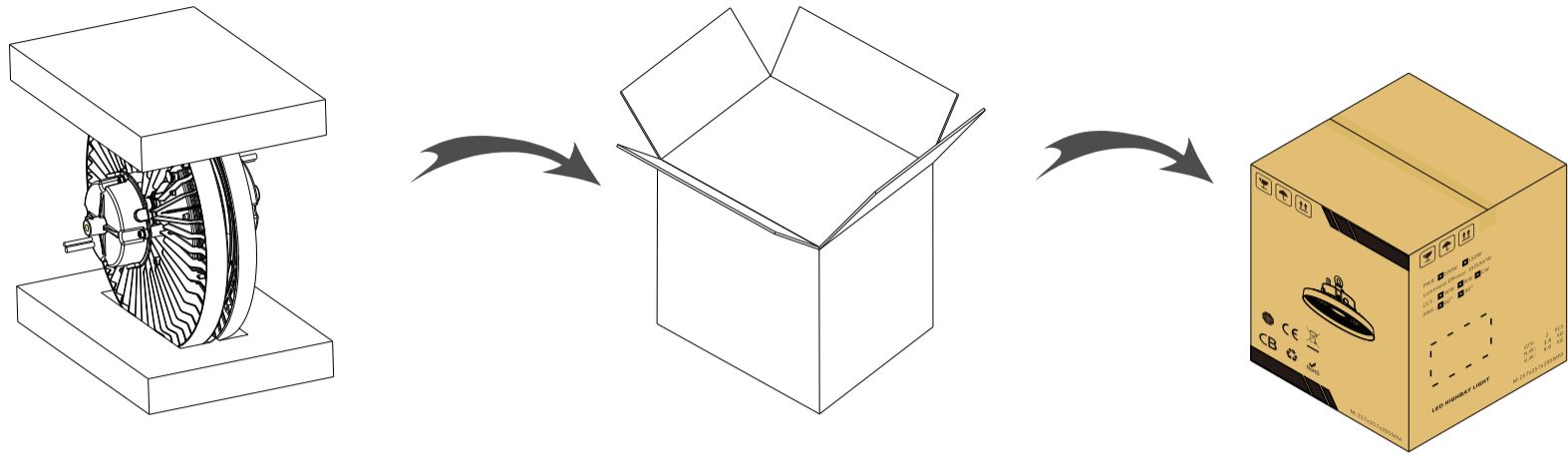
60°

90°

AC Input: 100-277V 50/60Hz
 Brand of LED Driver: SOSEN
 Light Source: 2835
 CRI Range: Ra>80
 CCT Range: NW(4000K) CW(5700K)
 WW(3000K)(Optional) DW(5000K)(Optional)
 Light Efficiency: 150±5% Lm/W (-15)
 / 170±5% Lm/W (-17)
 Beam Angle: 60°/ 90°
 Maximum detection distance: 12metre
 Housing: Aluminum Alloy
 Waterproof: IP65 & IK08
 L80B20@25°C: >100000H
 PF: ≥0.95 THD<15% Power Efficiency: ≥0.9
 Certifications: CE, CE
 Warranty: 5 Years

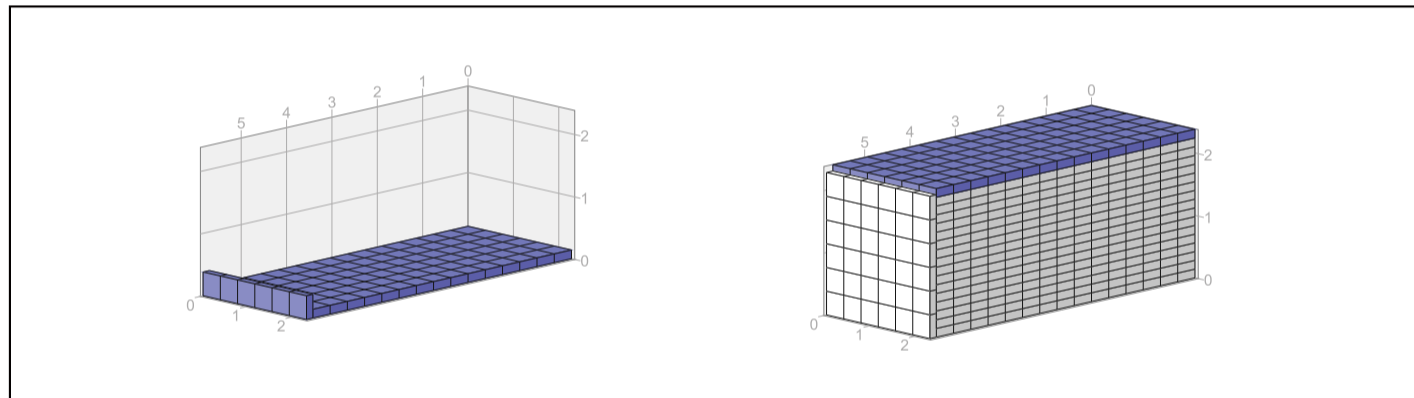


Package

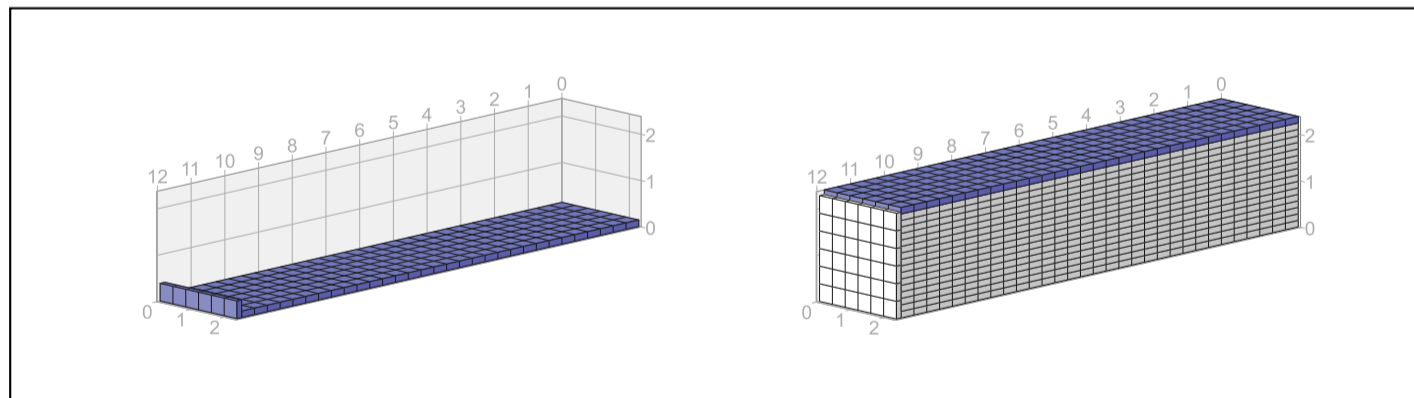


Model	Qty.	N.W.(kg)	G.W.(kg)	Meas(mm)
XJ-HBC100W-*	2Pcs/ctn	3.6	4.5	257x257x295
XJ-HBC150W-*	2Pcs/ctn	3.6	4.5	257x257x295
XJ-HBC200W-*	2Pcs/ctn	4.0	5.3	292x292x339
XJ-HBC240W-*	2Pcs/ctn	5.0	6.5	282x402x392

20ft



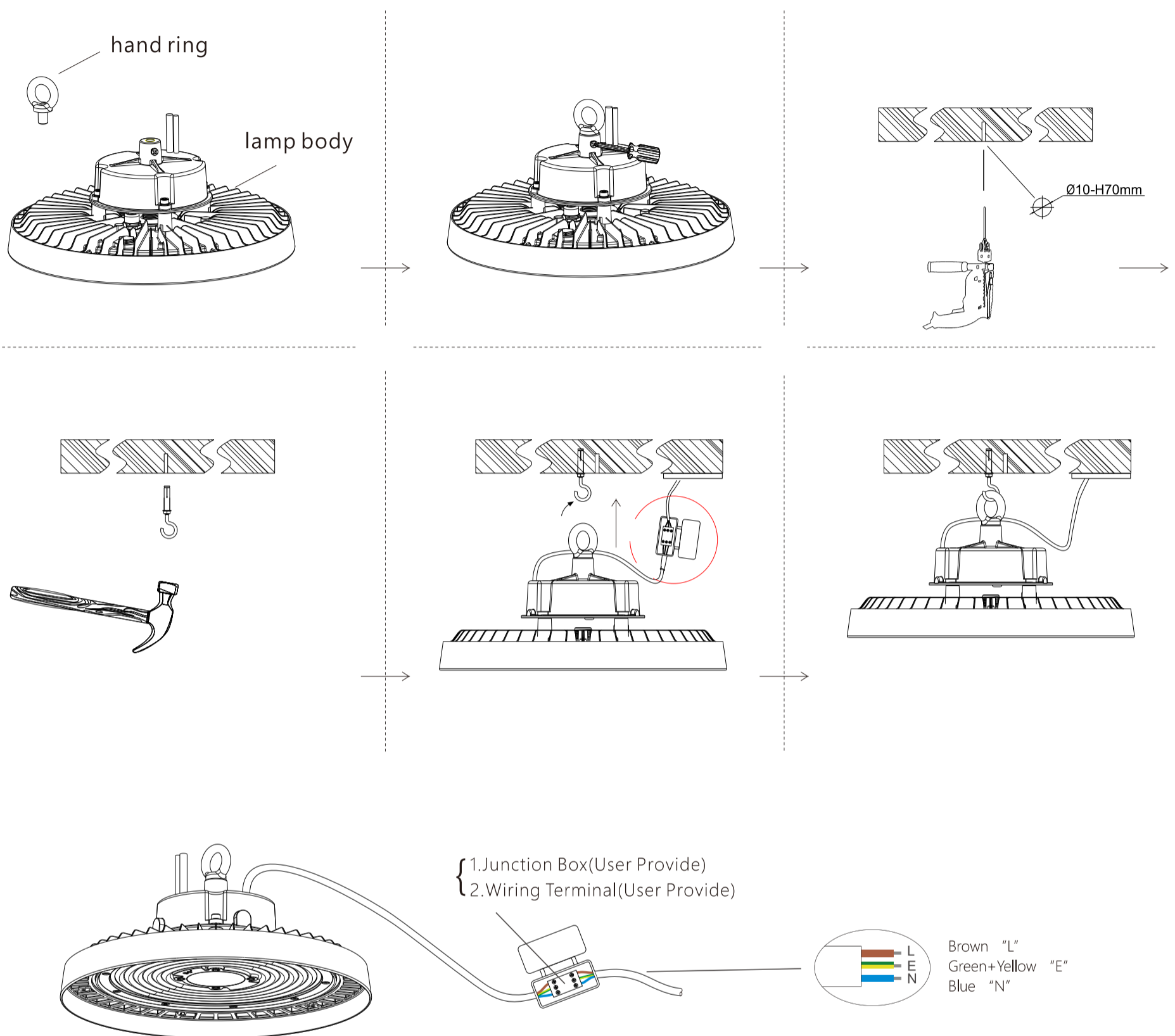
40ft



Model	Packaging volume	20ft container	40ft HQ	40ft GP
XJ-HBC100W-*	0.0097m ³	3168 PCS	6624 PCS	5152 PCS
XJ-HBC150W-*	0.0097m ³	3168 PCS	6624 PCS	5152 PCS
XJ-HBC200W-*	0.0145m ³	2240 PCS	4592 PCS	3360 PCS
XJ-HBC240W-*	0.0222m ³	1200 PCS	2520 PCS	2100 PCS

Note: Packing information is for reference only

Installation



Installation steps

- A: Open the packaging take out the lamp body and the hand ring;
- B: Install the hand ring, tighten the Screw with a Screwdriver;
- C: Drill a hole in ceiling;
- D: Insert the screw with hook into the hole;
- E: Install the luminaire onto the hook, and connect the wires as showing.
- E: Clean the lamp and complete the installation.

Note : Please make sure the power off before operation, Installation must be performed by skilled electrician who are familiar with the requirements and proper installation methods of LED luminaire. In order to avoid damage or hazard; The external flexible cable or cord of this luminaire can not be replaced, if the cord is damaged, the luminaire must be destroyed;
The light source contained in this luminaire shall only be replaced by a qualified person;