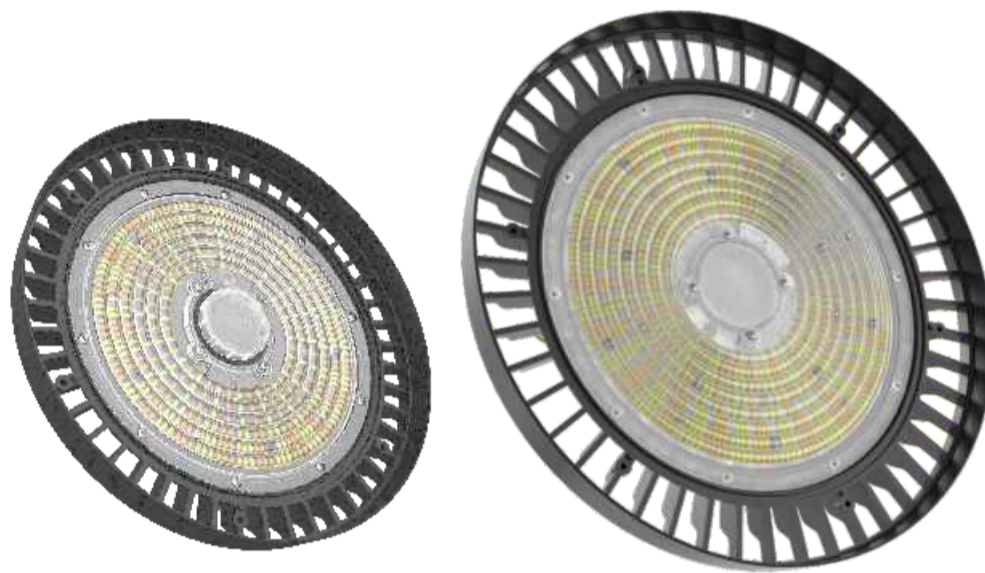
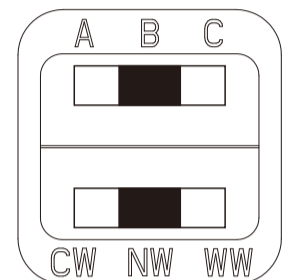




HBC-T SERIES LED HIGH BAY

www.seekingled.com



HBC-T series high bay light provides a solution for production workshop, large logistics warehouse, construction site, airport/dock/high-speed rail waiting room and shoppingmall, Provide luminous angles of 60 and 90 degrees of light distribution design to meet the lighting needs of different occasions. Protection level up to IK08 and IP65. Constant Current Power Driver, L80B20 can reach more than 100,000 hours.

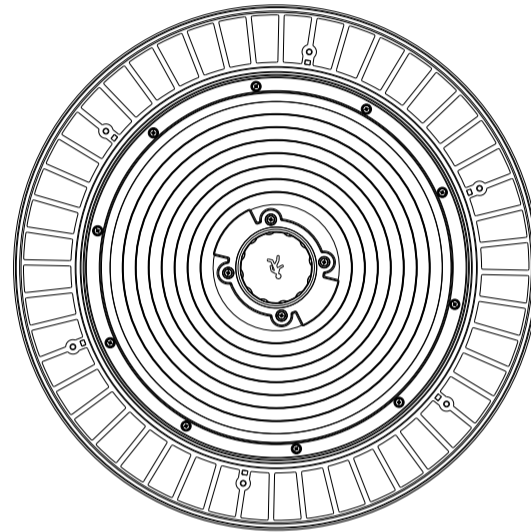
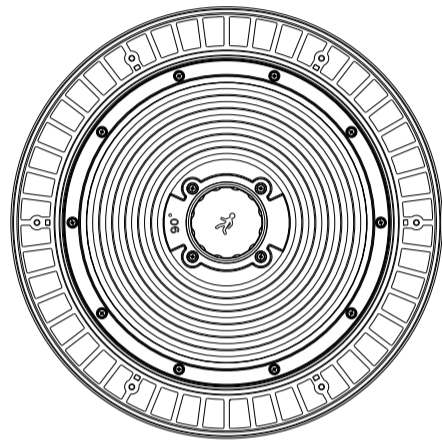
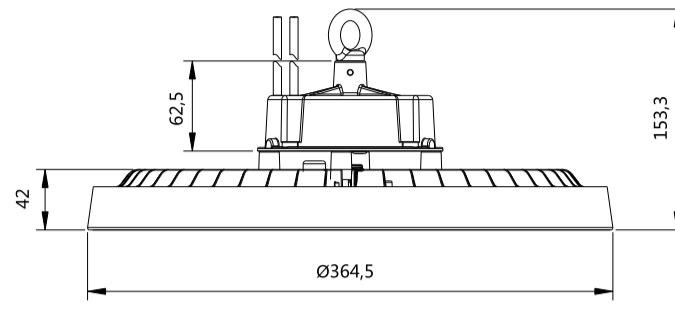
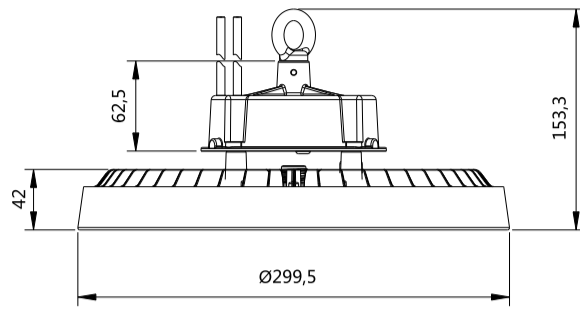
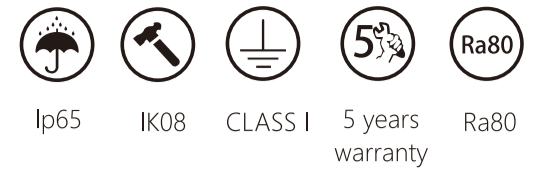


Rated voltage
100-277V

Frequency
50-60Hz

+50°C
-40°C

Dimension



Parameter

Model NO.	Power (W)	Luminous Flux 150lm/W@NW
XJ-HBC150W-T	150	22500
XJ-HBC200W-T	200	30000

Above lumens based on 4000K Ra:80

AC Input : 100-277V 50/60Hz
 Brand of LED Driver : SOSEN
 Light Source : 2835
 CRI Range : Ra>80
 CCT Range : WW(3000K) NW(4000K) CW(6500K)
 Light Efficiency : 130±5% Lm/W@WW
 140±5% Lm/W@CW
 150±5% Lm/W@NW
 Beam Angle : 60°/ 90°
 Housing : Aluminum Alloy
 Waterproof : IP65 & IK08
 L80B20@25°C : >100000H
 PF:≥0.95 THD<15% Power Efficiency:≥0.9
 Certifications: CE, CB
 Warranty : 5 Years

Light distribution curve



60°

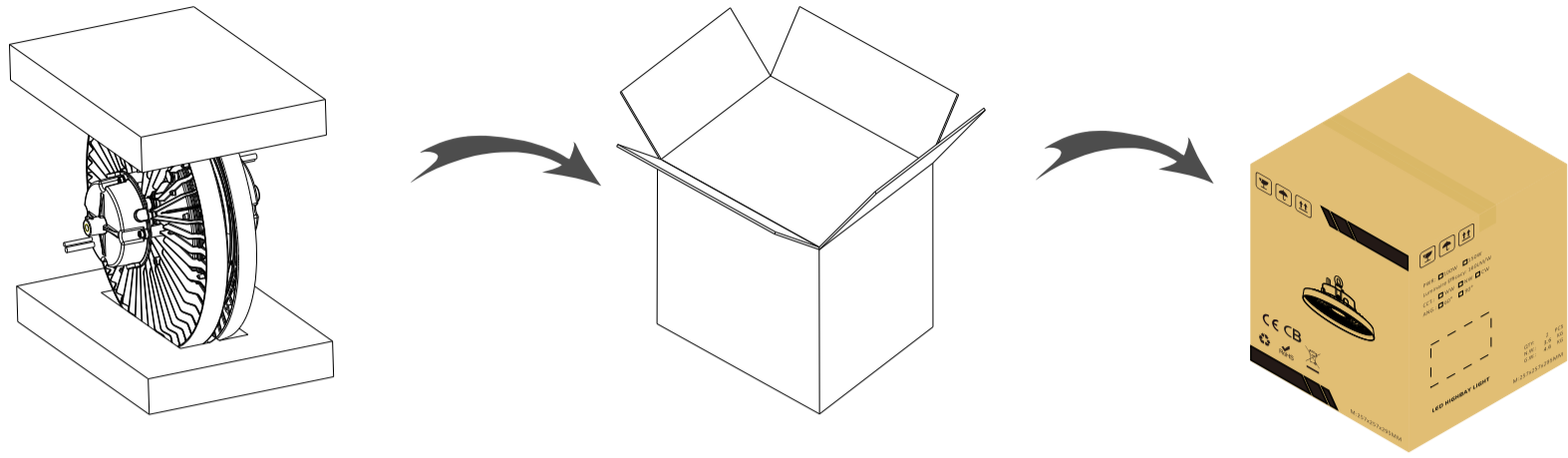


90°



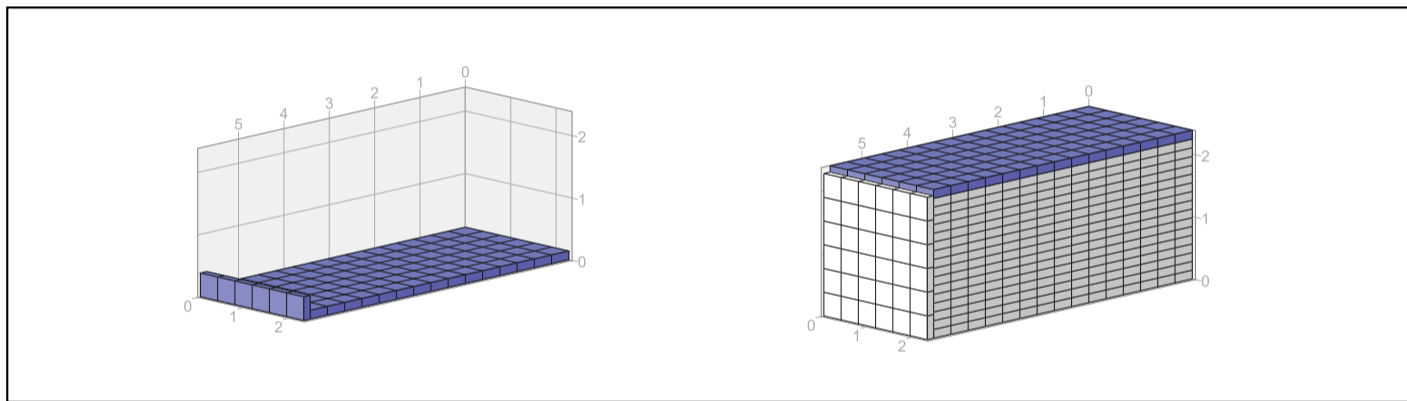
Dimmable

Package

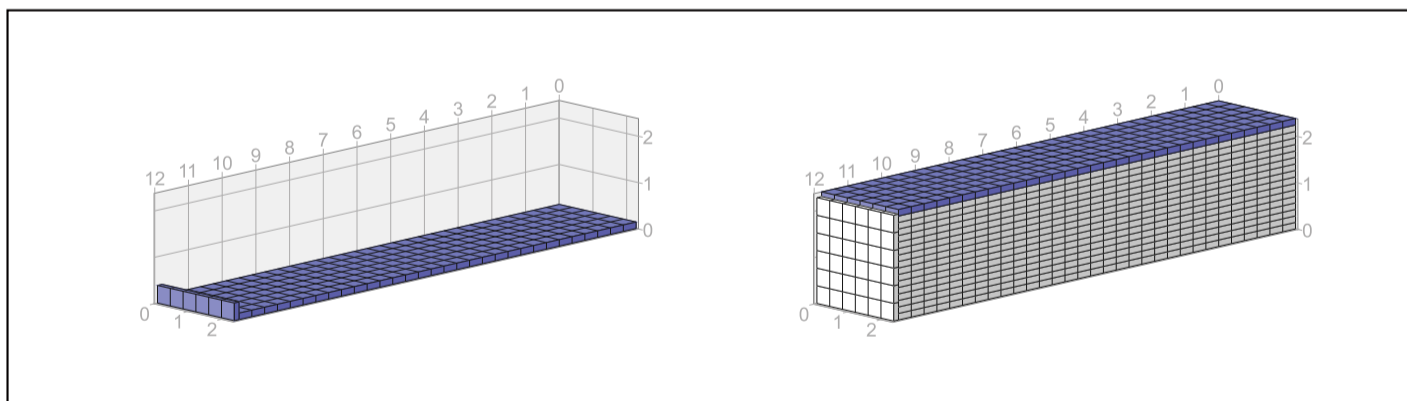


Model	Qty.	N.W.(kg)	G.W.(kg)	Meas(mm)
XJ-HBC150W-T	2Pcs/ctn	4.0	5.3	292x292x339
XJ-HBC200W-T	2Pcs/ctn	5.0	6.5	282x402x392

20ft



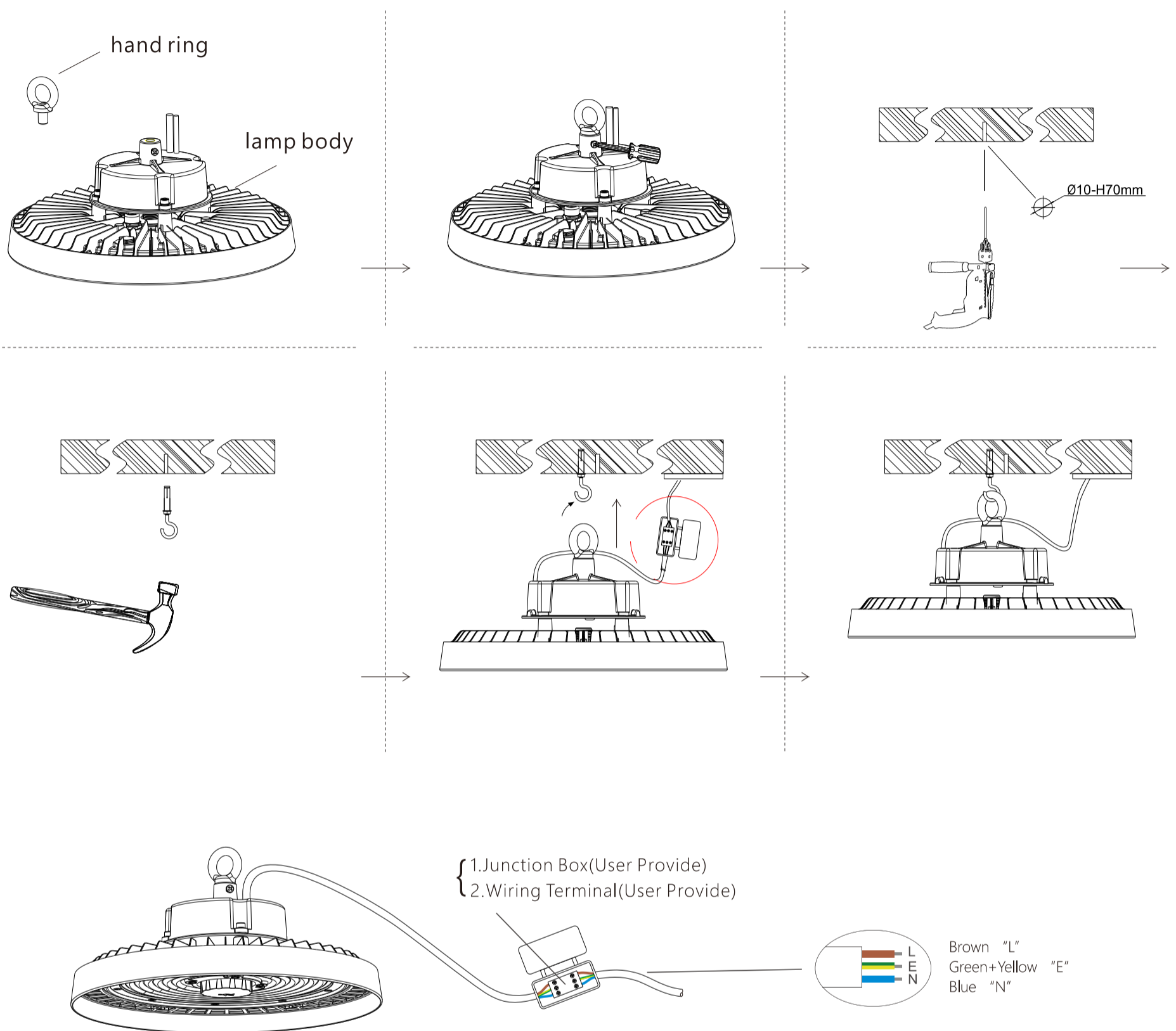
40ft



Model	Packaging volume	20ft container	40ft HQ	40ft GP
XJ-HBC150W-T	0.0145m ³	2240 PCS	4592 PCS	3360 PCS
XJ-HBC200W-T	0.0222m ³	1200 PCS	2520 PCS	2100 PCS

Note: Packing information is for reference only

Installation



Installation steps

- A: Open the packaging take out the lamp body and the hand ring;
- B: Install the hand ring, tighten the Screw with a Screwdriver;
- C: Drill a hole in ceiling;
- D: Insert the screw with hook into the hole;
- E: Install the luminaire onto the hook, and connect the wires as showing.
- E: Clean the lamp and complete the installation.

Note : Please make sure the power off before operation, Installation must be performed by skilled electrician who are familiar with the requirements and proper installation methods of LED luminaire. In order to avoid damage or hazard; The external flexible cable or cord of this luminaire can not be replaced, if the cord is damaged, the luminaire must be destroyed; The light source contained in this luminaire shall only be replaced by a qualified person;