



# STA SERIES LED STREET LIGHT

www.seekingled.com



STA series LED street light adopt 24 LEDs in one lens with glass cover design, superior light efficiency but high cost performance. Smooth body design with self-cleaning eliminates the risk of dust and dirt accumulation. Can be used normally even in harsh environment. Horizontal and vertical adjustable tilt angle, easier and faster installation. Isolated driver with 10KV SPD, IP66 and IK08. The perfect companion to streets, parking lots, and any other wide-open area in need of a high volume of LED street lights, it provides the illumination you need in any environment.

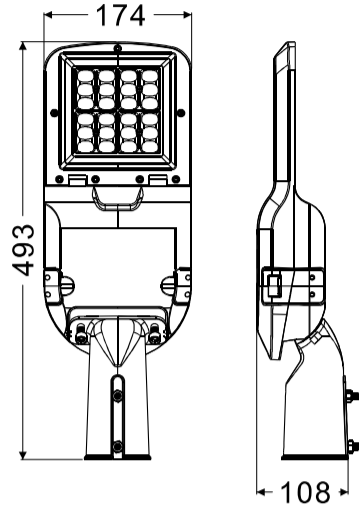


# Dimension

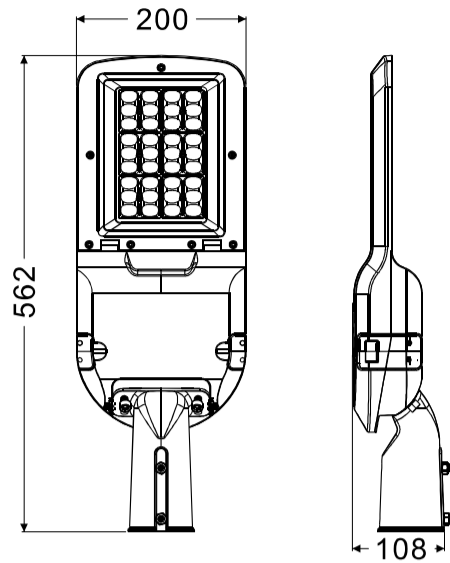
Unit:mm



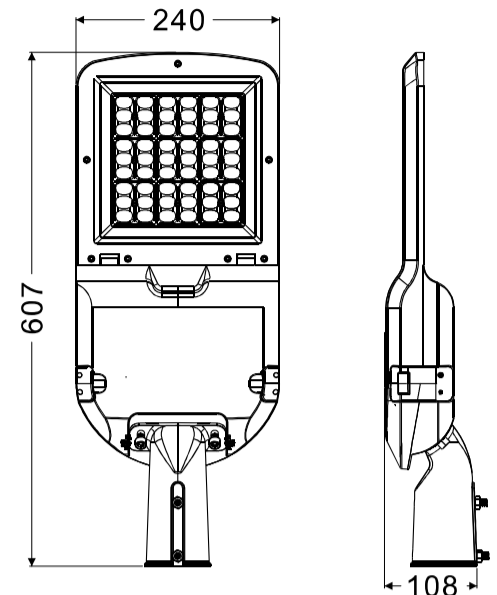
IP66 IK08 CLASS I 5 years warranty Ra80



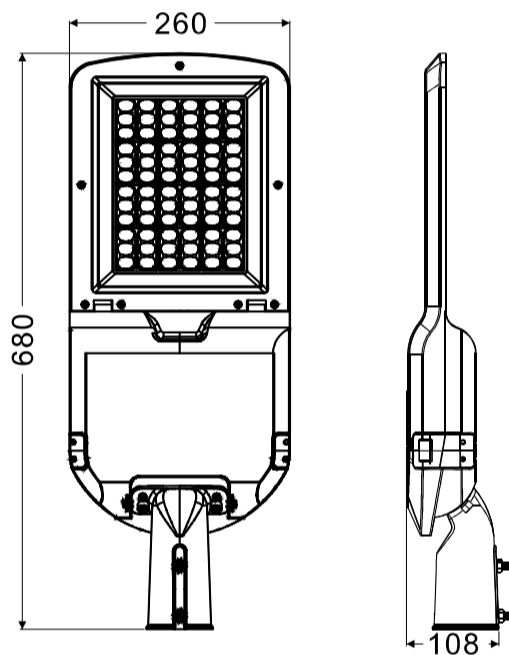
XJ-STA50W



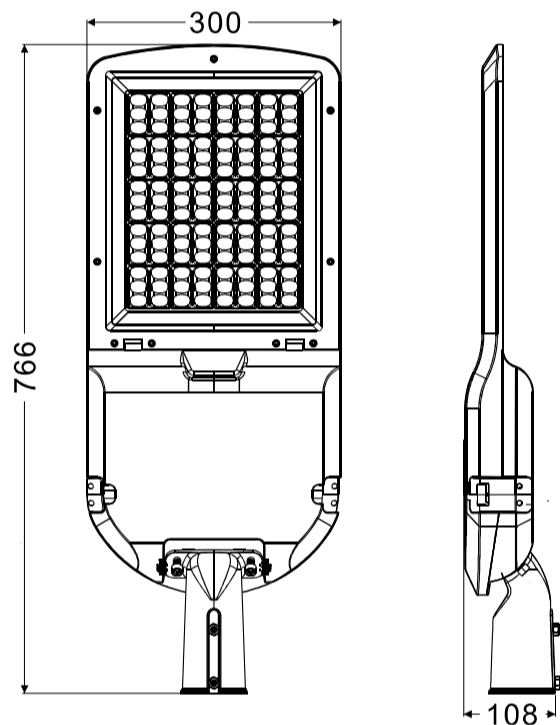
XJ-STA75W



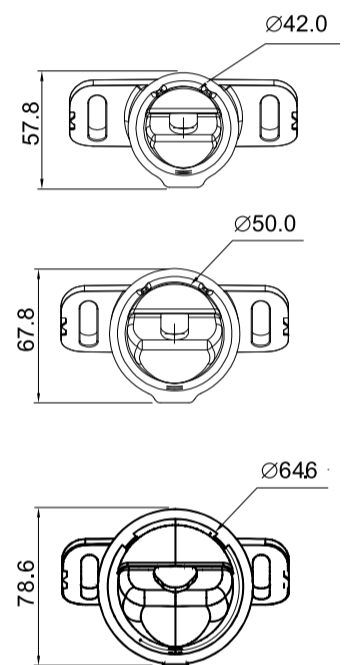
XJ-STA100W



XJ-STA150W



XJ-STA200W / XJ-STA240W

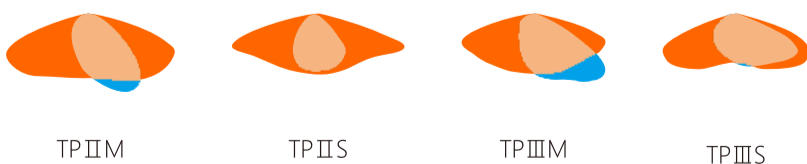


Model NO.	Power (W)	Luminous Flux 160lm/W
XJ-STA50W	50	8000
XJ-STA75W	75	12000
XJ-STA100W	100	16000
XJ-STA150W	150	24000
XJ-STA200W	200	32000
XJ-STA240W	240	38400

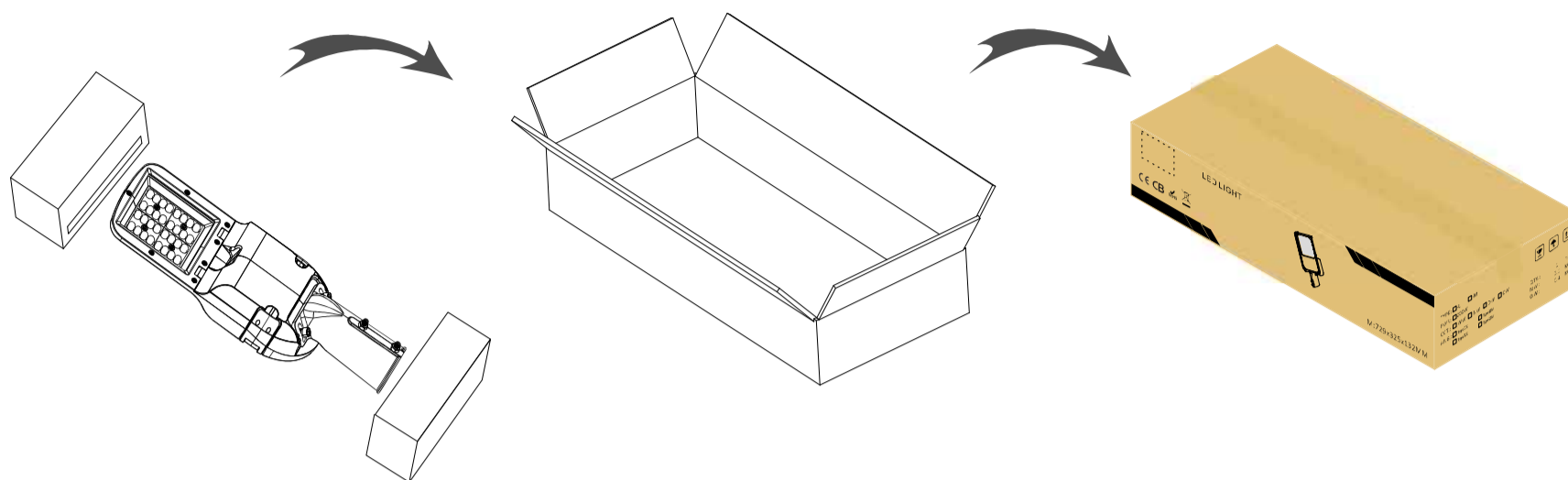
Above lumens based on 4000K Ra:80

AC Input : 100-277V 50/60Hz  
 Brand of LED Driver : SOSEN  
 Light Source : 2835  
 CRI Range : Ra>80  
 CCT Range : NW(4000K) CW(5700K)  
 Light Efficiency : 160±5% Lm/W  
 Housing : Aluminum Alloy  
 Surge: 10KV  
 Optical control interface: NEMA  
 Lens: 24 in 1  
 Certifications: Ø40, Ø50, Ø60  
 Waterproof : IP66 & IK08  
 Beam Angle : TIIIM, TIIIS, TIIIM, TIIIS  
 L80B20@25°C : >100000H  
 PF:≥0.95 THD<15% Power Efficiency:≥0.9  
 Certifications: CE, CB  
 Warranty : 5 Years

## Light distribution curve

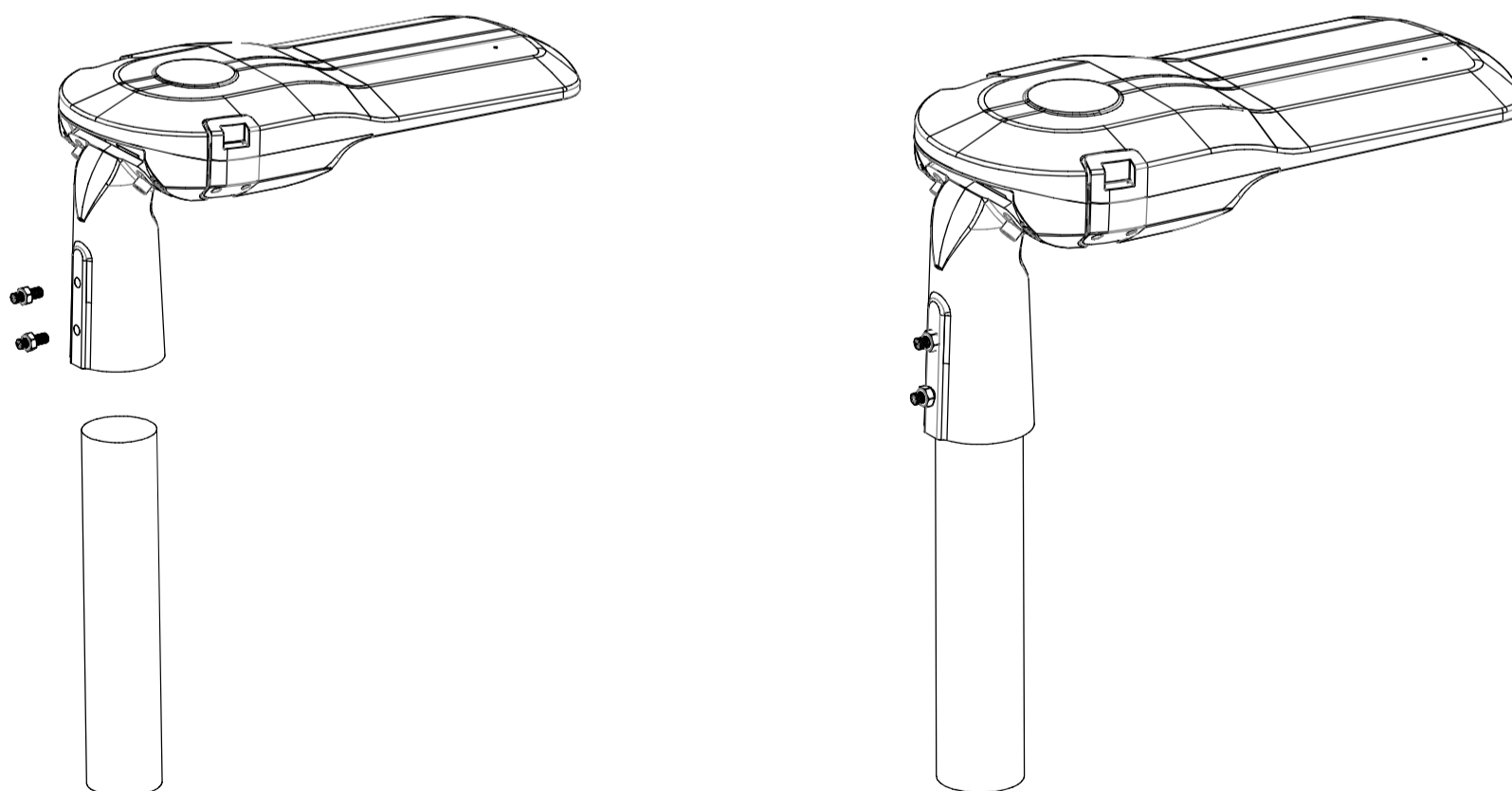


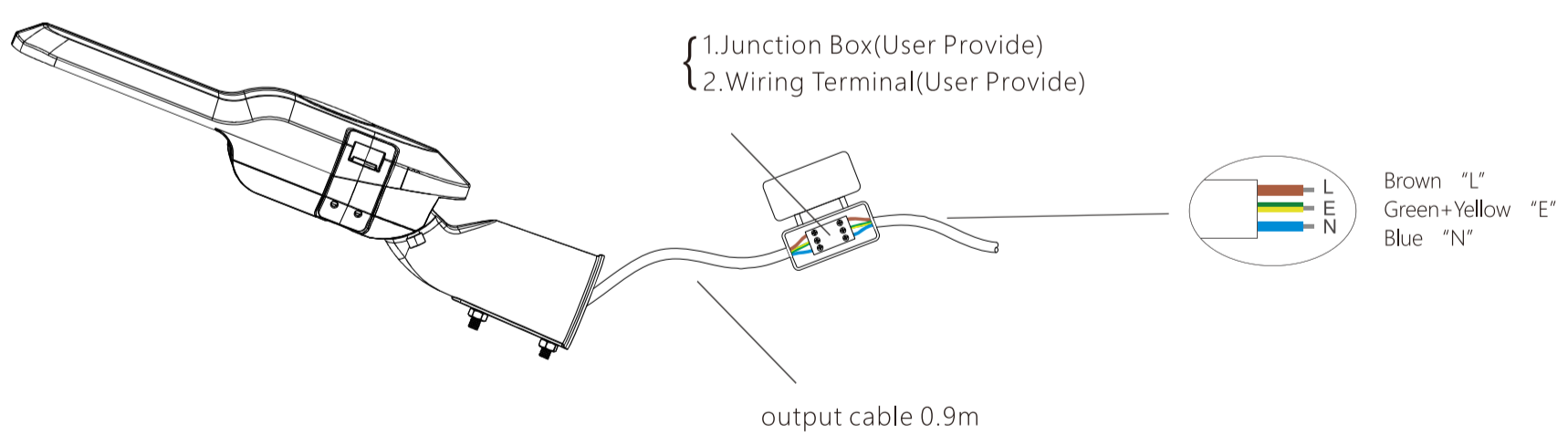
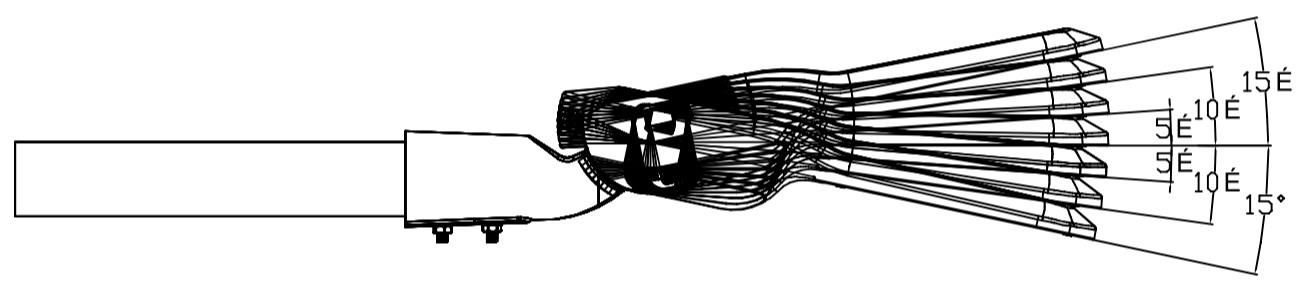
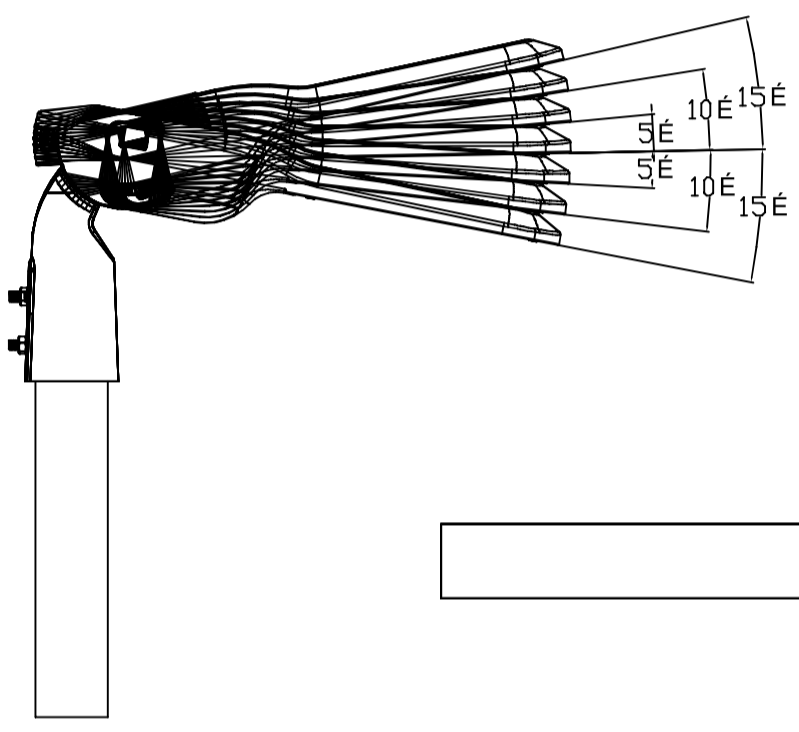
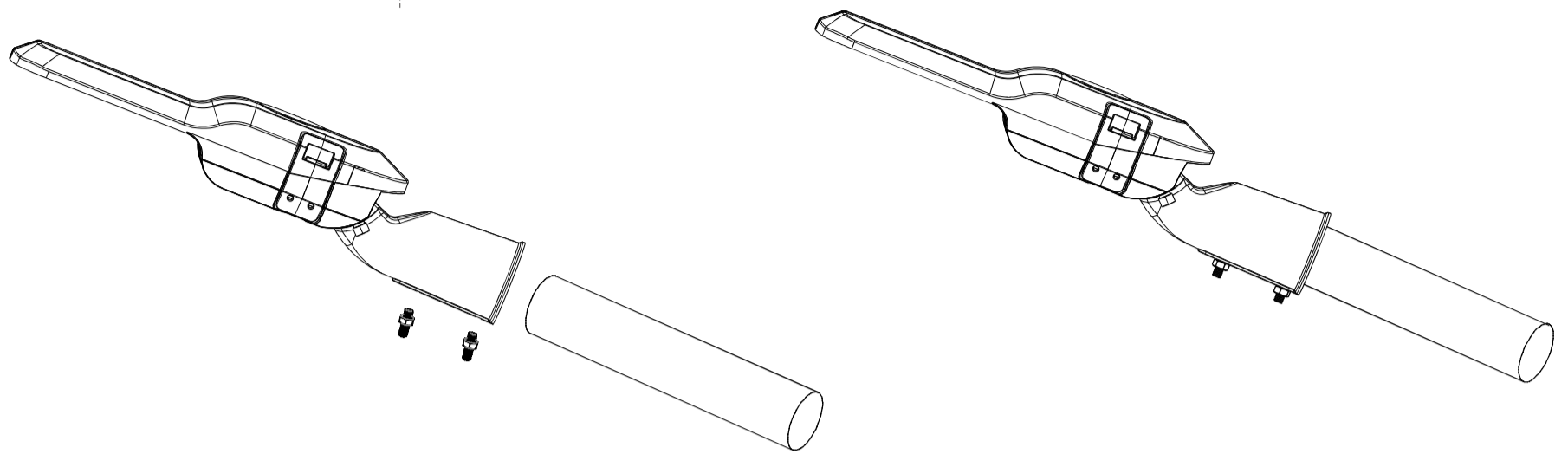
## Package



Model	Qty.	N.W.(kg)	G.W.(kg)	Meas(mm)
XJ-STA50W	2Pcs/ctn	7.4	9.0	513x246x194
XJ-STA75W	2Pcs/ctn	7.6	9.5	582x247x220
XJ-STA100W	2Pcs/ctn	8.2	10.3	627x249x260
XJ-STA150W	2Pcs/ctn	8.6	11.0	700x248x281
XJ-STA200W XJ-STA240W	1Pc/ctn	6.0	6.9	786x320x128

## Installation





Note : Please make sure the power off before opertion, Installation must be performed by skilled electrician who are familiar with the requirements and proper installation methods of LED luminaire. In order to avoid damage or hazard;  
 The external flexible cable or cord of this luminaire can not be replaced, if the cord is damaged, the luminaire must be destroyed;  
 The light source contained in this luminaire shall only be replaced by a qualified person;