



STB SERIES LED STREET LIGHT

www.seekingled.com

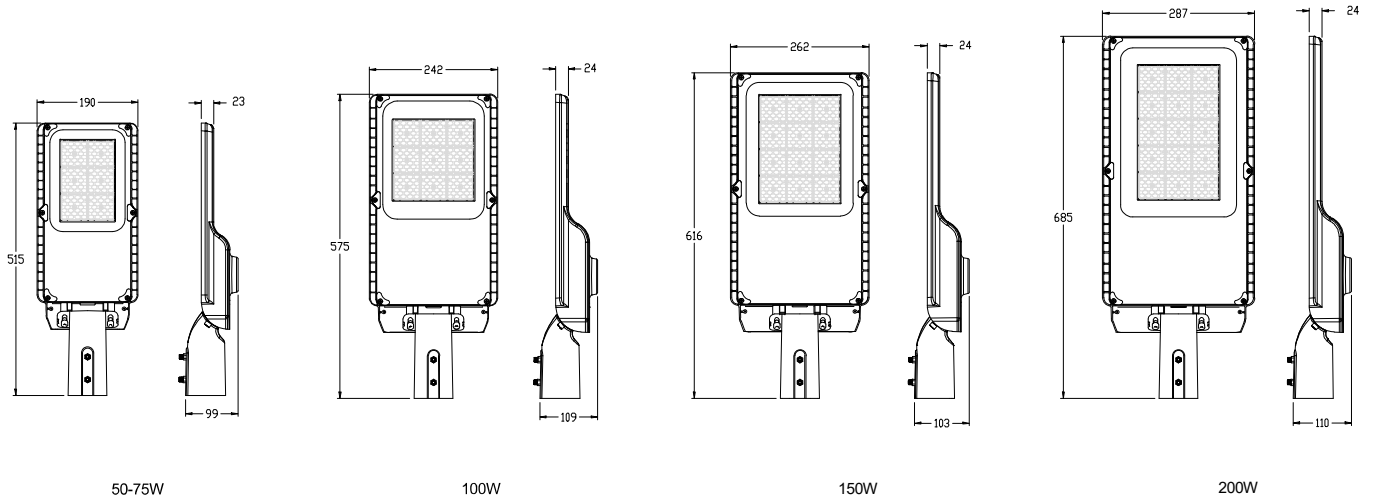
CE CB



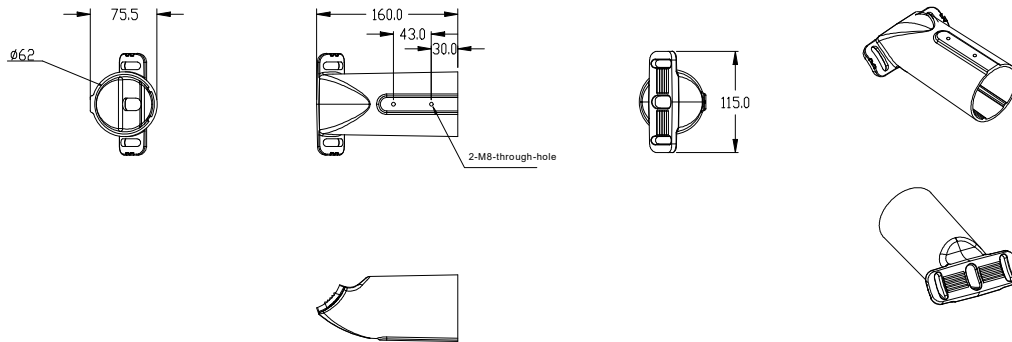
STB series LED street light adopt 24 LEDs in one lens with glass cover design,superior light efficiency but high cost performance.smooth body design with self-cleaning eliminates the risk of dust and dirt accumulation. Can be used normally even in harsh environment.Horizontal and vertical adjustable tilt angle,easier and faster installation.Isolated driver with 10KV SPD, Ip66 and IK08.The perfect companion to streets, parking lots and any other wide-open area in need of a high volume of LED street lights,it provides the illumination you need in any environment.



Dimension



Rotating arm



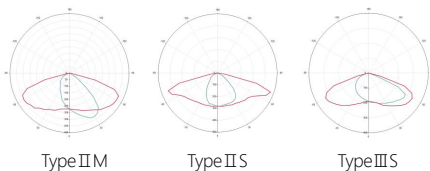
60mm/2.36in mounting hole

Parameter

Model NO.	Power (W)	Luminous Flux 160lm/Wat@Ra>80
STB-50W	50	8000
STB-75W	75	12000
STB-100W	100	16000
STB-150W	150	24000
STB-200W	200	32000

Above lumens based on 4000K Ra:80

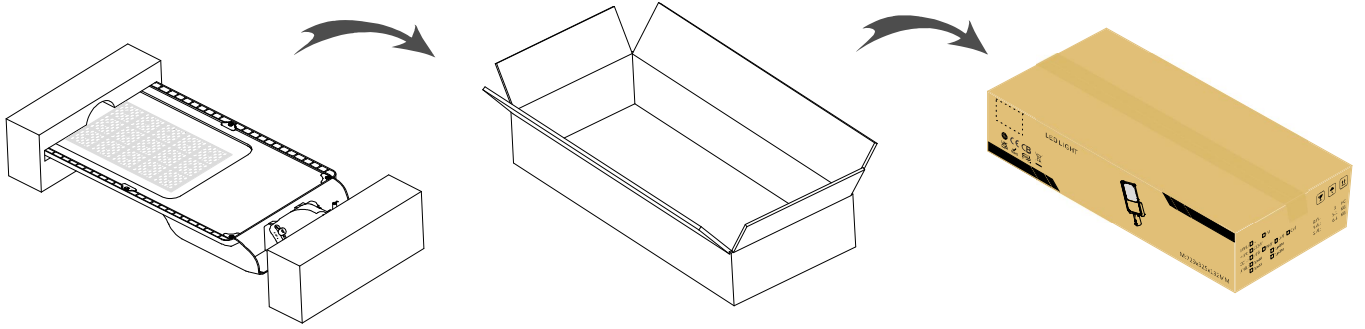
Light distribution curve



AC Input : 100-277V 50/60Hz
 Brand of LED Driver : MOSO
 Light Source : 2835
 CRI Range : Ra>80
 CCT Range : NW(4000K) CW(5700K)
 WW(3000K)(Optional) DW(5000K)(Optional)
 Light Efficiency : 160±5% Lm/W
Beam Angle : Type IIS/Type IIM/Type IIIS
 Housing : Aluminum Alloy
 Waterproof : IP66 & IK08
 L80B20@25°C : >100000H
 PF:≥0.95 THD<15% Power Efficiency:≥0.9
 Certifications: CE, CB
 Warranty : 5 Years

MOSO® Dimmable

Package



Model	Qty.	N.W.(kg)	G.W.(kg)	Meas(mm)
XJ-STB50W-*	1Pc/ctn	2.4	--3.3	560x223x124
XJ-STB75W-*	1Pc/ctn	2.4	--3.3	560x223x124
XJ-STB100W-*	1Pc/ctn	3.3	--4.4	619x275x132
XJ-STB150W-*	1Pc/ctn	4.2	--5.6	660x295x132
XJ-STB200W-*	1Pc/ctn	5.1	--6.4	729x320x132

Installation

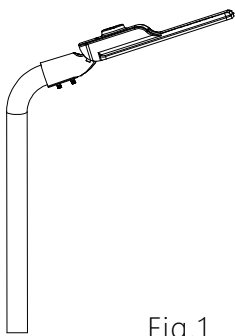
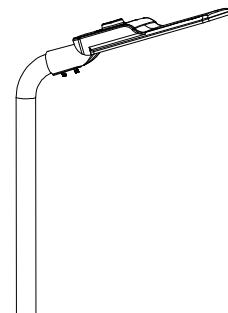
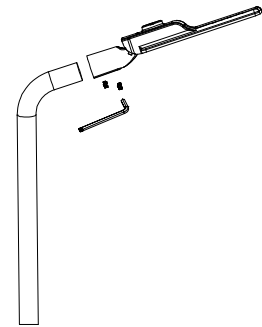
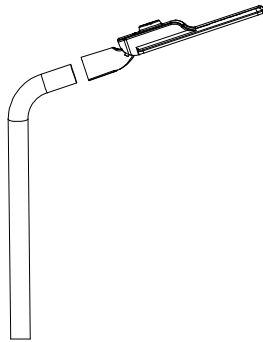
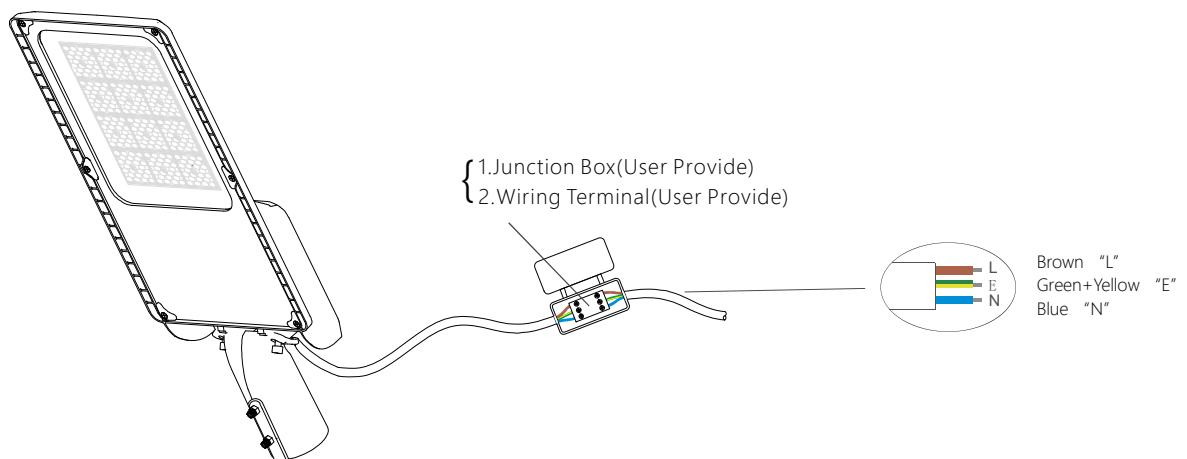
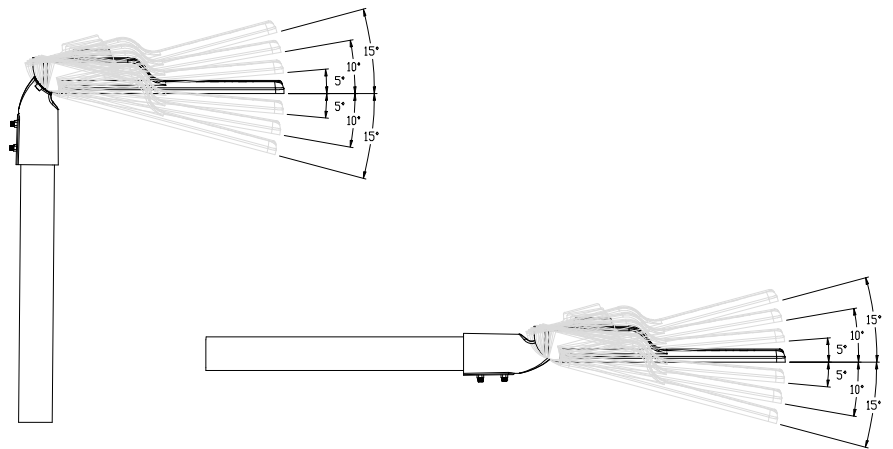
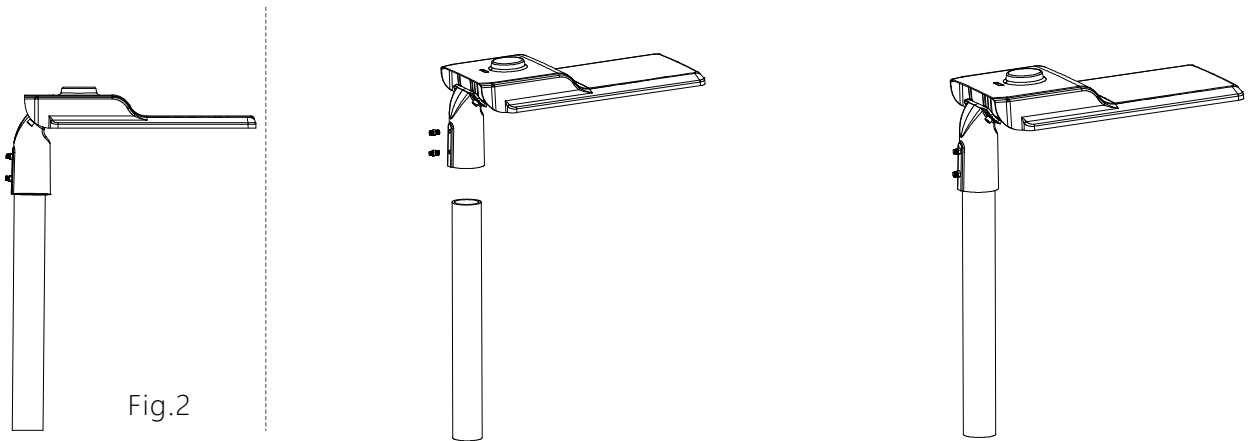


Fig.1



Installation



Installation steps

- A : Open the packaging and take out the lamp body
- B : Loosen the two allen screws on the lamp body pivot arm and adjust the required angle
- C : Insert the bracket hole corresponding to the shaft arm hole and fix it with two Allen screws on the side. Please refer to the installation instructions

Note : Please make sure the power off before operation, Installation must be performed by skilled electrician who are familiar with the requirements and proper installation methods of LED luminaire. In order to avoid damage or hazard; The external flexible cable or cord of this luminaire can not be replaced, if the cord is damaged, the luminaire must be destroyed;
The light source contained in this luminaire shall only be replaced by a qualified person;