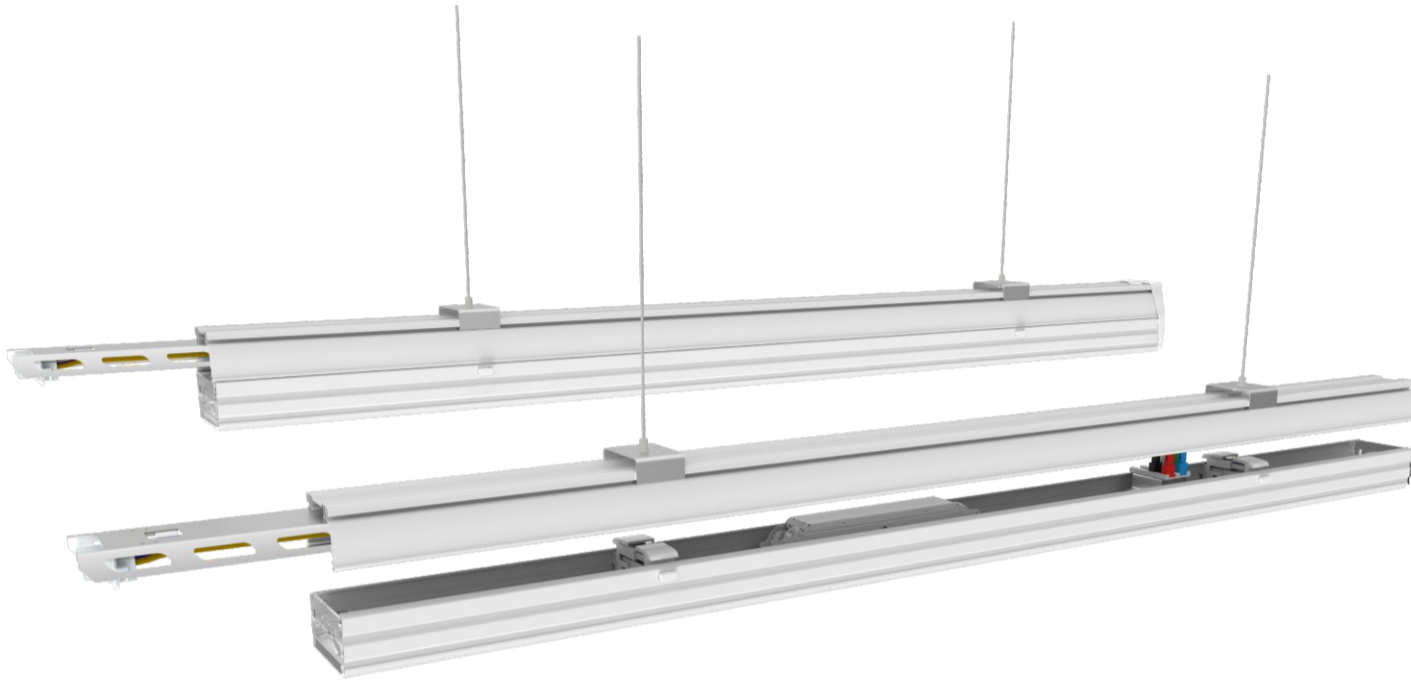


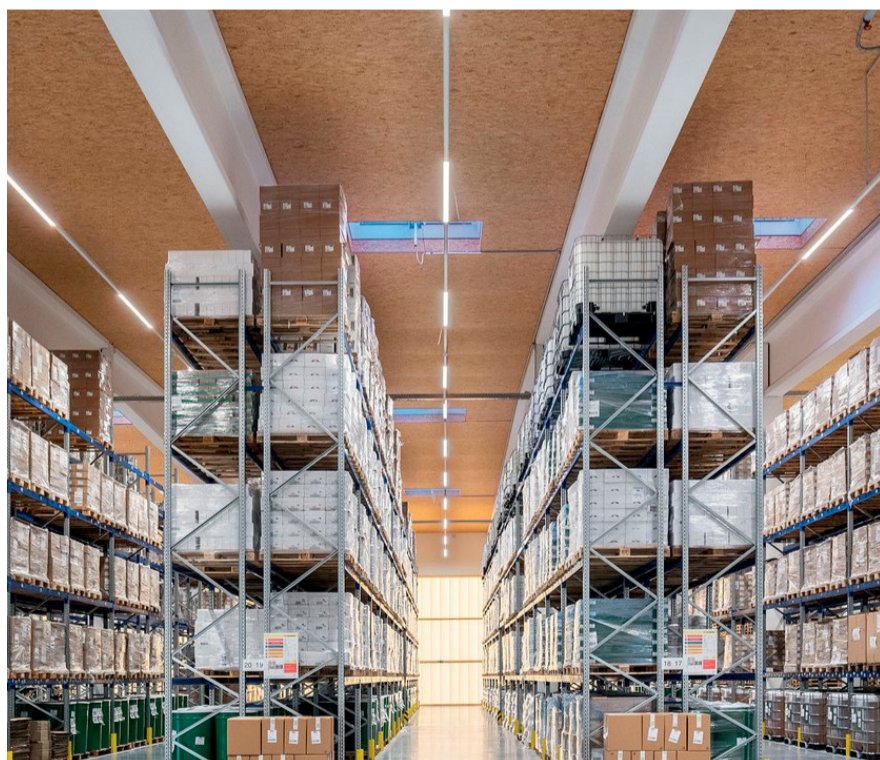


H-Line SERIES LED LINEAR TRUNKING SYSTEM

www.seekingled.com



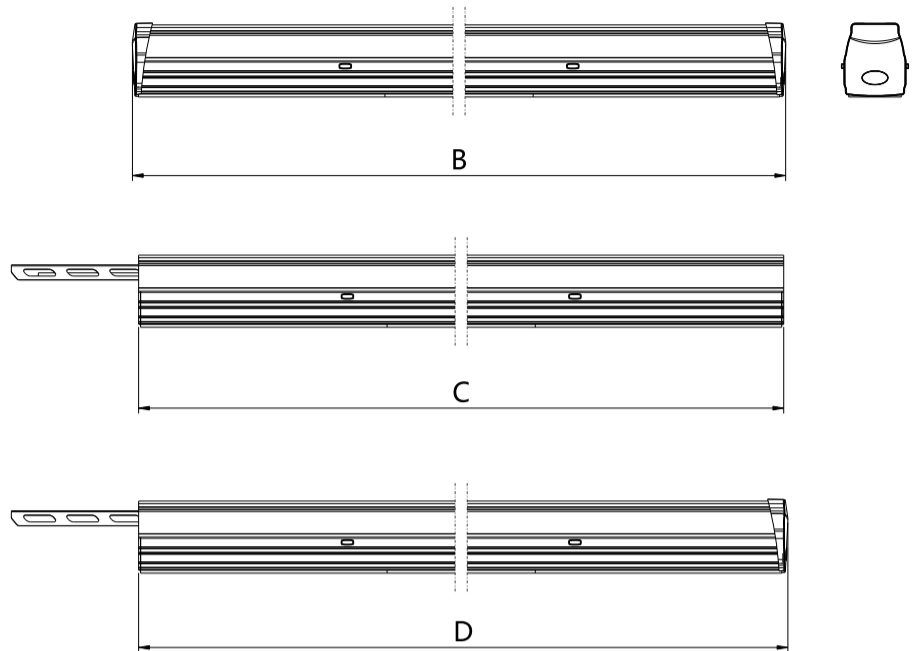
H-Line series LED linear trunking system provides a solution for recreational Indoor high ceiling application, Industrial facility, Chemical Facilities, Exhibition centers, Shopping malls, Warehouse, Supermarket, Retail Store, Factory, Stadiums, Toll stations and so on





Sensor CLASS I 5 years warranty Ra80 DALI

Dimension



Rail dimension

Item	A(mm)
XJ-HLS06	577
XJ-HLS12	1149
XJ-HLS15	1435

Luminaire dimension

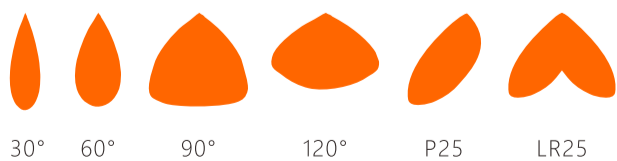
Item	B(mm)	C(mm)	D(mm)
XJ-HLS06	586	577	581
XJ-HLS12	1158	1149	1153
XJ-HLS15	1444	1435	1439

Parameter

Model NO.	Power (W)	Luminous Flux 180lm/W
XJ-HLSXX-30W	30	5400
XJ-HLSXX-35W	35	6300
XJ-HLSXX-40W	40	7200
XJ-HLSXX-45W	45	8100
XJ-HLSXX-50W	50	9000
XJ-HLSXX-55W	55	9900
XJ-HLSXX-60W	60	10800
XJ-HLSXX-75W	75	13500

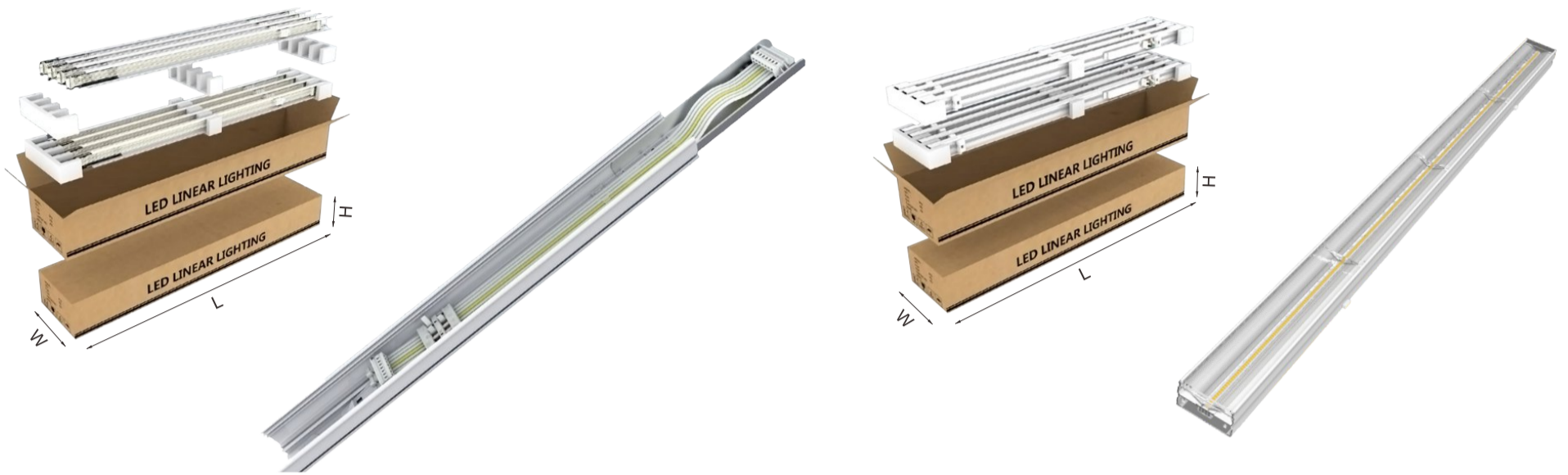
Above lumens based on 4000K Ra:80

AC Input : 100-277V 50/60Hz
 Brand of LED Driver : TRIDONIC
 Light Source : 2835
 CRI Range : Ra>80
 CCT Range : NW(4000K) CW(5700K)
 Light Efficiency : 180±5% Lm/W
 Beam Angle : 30°, 60°, 90°, 120°, P25, LR25
 Housing : Aluminum Alloy
 Waterproof : IP40 & IK08
 L80B20@25°C : >100000H
 PF:≥0.95 THD<15% Power Efficiency:≥0.9
 Certifications: TUV, ENEC, CE, CB, SAA



TRIDONIC Dimmable

Package



Rail package

Item	Package Dimension (LxWxH)	N.W	Qty / CTN	G.W
XJ-HLS06-*	775x330x295	0.75kg	12Pcs	10kg
XJ-HLS12-*	1345x330x295	1.15kg	12Pcs	16kg
XJ-HLS15-*	1625x330x295	1.3kg	12Pcs	17kg

Luminaire package

Item	Package Dimension (LxWxH)	N.W	Qty / CTN	G.W
XJ-HLS06-*	625x330x295	0.75kg	12Pcs	10kg
XJ-HLS12-*	1195x330x295	1.15kg	12Pcs	17kg
XJ-HLS15-*	1475x330x295	1.3kg	12Pcs	18kg

Mounting accessories



accessories	image	material	dimensions	weight	accessory use
Standard	T01	/	150x50x15mm	0.1kg	Power input
Optional	T02	PC	84x70x24mm	0.05kg	system End colsed
Optional	T03	carbon steel	300x300x75mm	2.5kg	L-shaped connection
Optional	T04	carbon steel	600x300x75mm	3.0kg	T-shaped connection
Optional	T05	carbon steel	600x450x75mm	4.0kg	x-shaped connection