



HBC SERIES LED HIGH BAY

www.seekingled.com

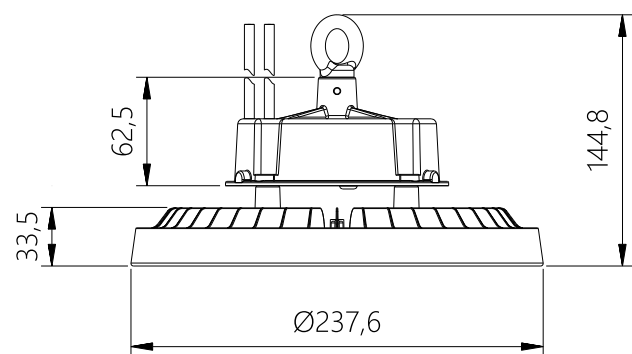
CE CB



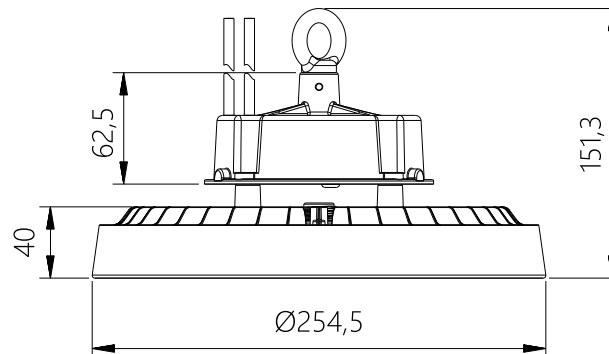
HBC series UFO high bay light have fully considered the balance between product performance and cost control from the beginning of the design. Therefore, while ensuring good heat dissipation and high light efficiency, it brings excellent cost performance and optimal packaging volume. It uses high-quality die-casting aluminum radiator, SOSEN flicker-free driver, light efficiency up to 170lm/w at CRI>80, IP65, IK08, supports microwave motion sensor, easy plug and play, for more energy saving use. HBC passed CE, CB certification, it is really a excellent choice for distribution, wholesale, project .



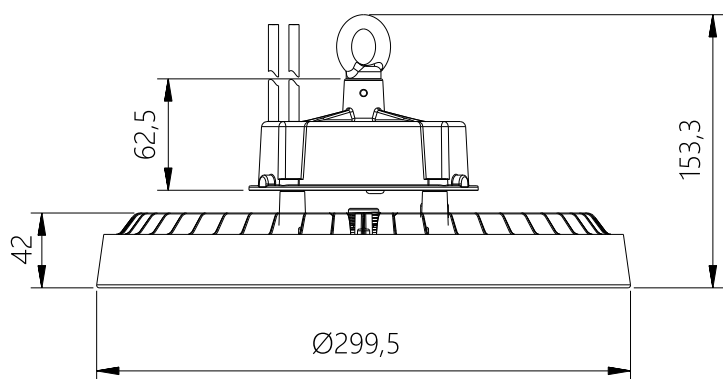
Dimension



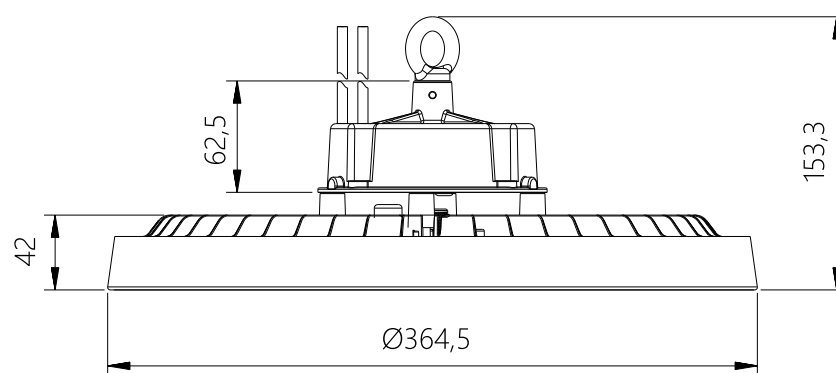
XJ-HBC100W



XJ-HBC150W



XJ-HBC200W



XJ-HBC240W

Parameter

Model NO.	Power (W)	Luminous Flux (150lm/W) / (170lm/W)
XJ-HBC100W-*-15	100	15000
XJ-HBC100W-*-17	100	17000
XJ-HBC150W-*-15	150	22500
XJ-HBC150W-*-17	150	25500
XJ-HBC200W-*-15	200	30000
XJ-HBC200W-*-17	200	34000
XJ-HBC240W-*-15	240	36000
XJ-HBC240W-*-17	240	40800

Above lumens based on 5700K Ra:80

Light distribution curve



60°



90°

AC Input: 100-277V 50/60Hz
 Brand of LED Driver: SOSEN
 Light Source: 2835
 CRI Range: Ra>80
 CCT Range: NW(4000K) CW(5700K)
 WW(3000K)(Optional) DW(5000K)(Optional)
 Light Efficiency: 150±5% Lm/W
 / 170±5% Lm/W
 Beam Angle: 60°/ 90°
 Maximum detection distance: 12metre
 Housing: Aluminum Alloy
 Waterproof: IP65 & IK08
 L80B20@25°C: >100000H
 PF: ≥0.95 THD<15% Power Efficiency: ≥0.9
 Certifications: CE, CB
 Warranty: 5 Years

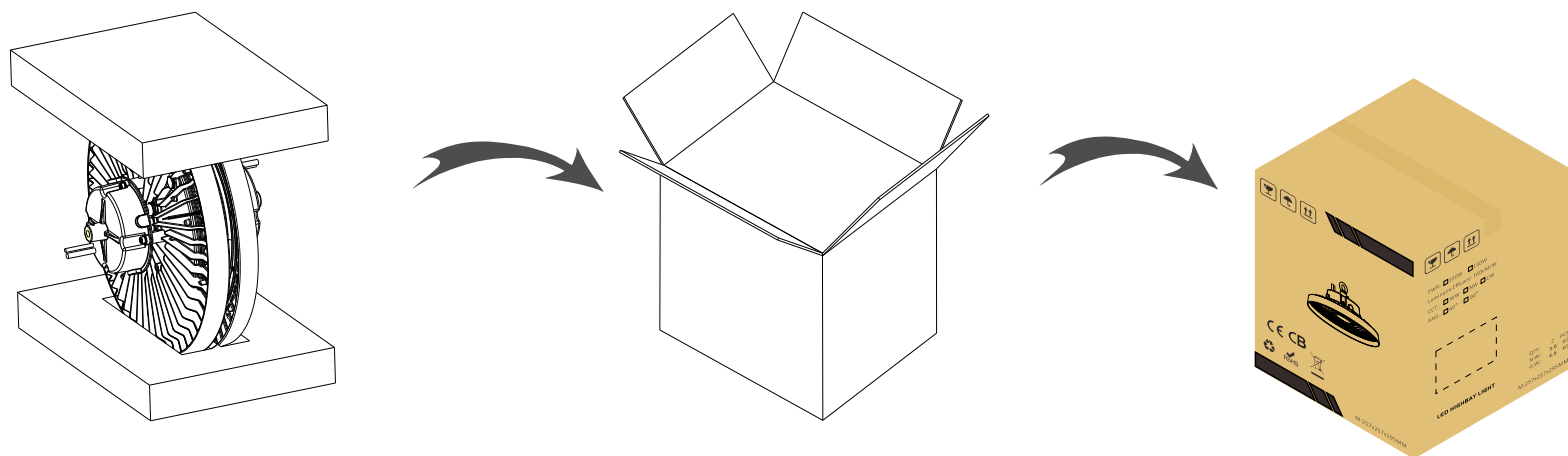


Dimmable



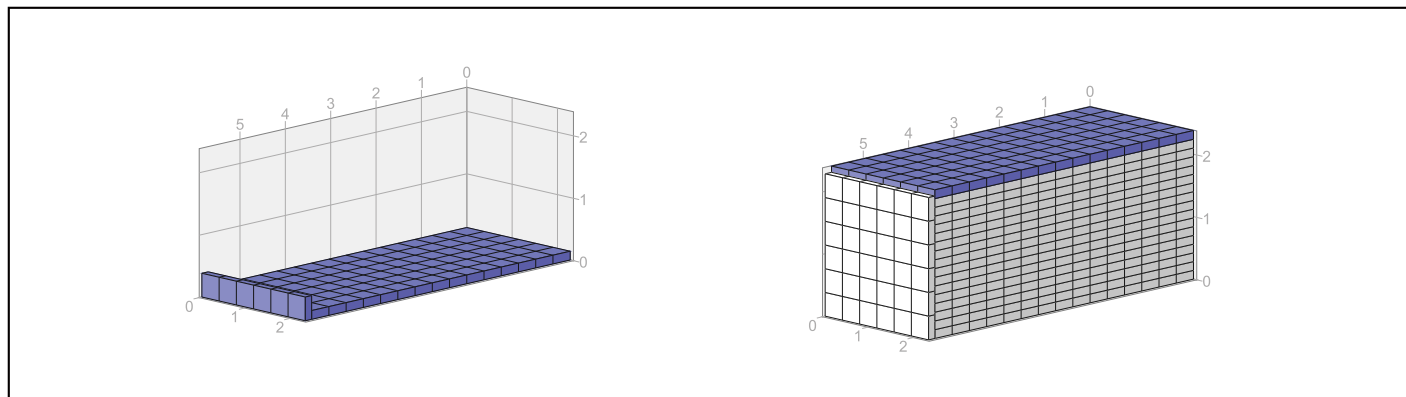
PIR/Microwave sensors able

Package

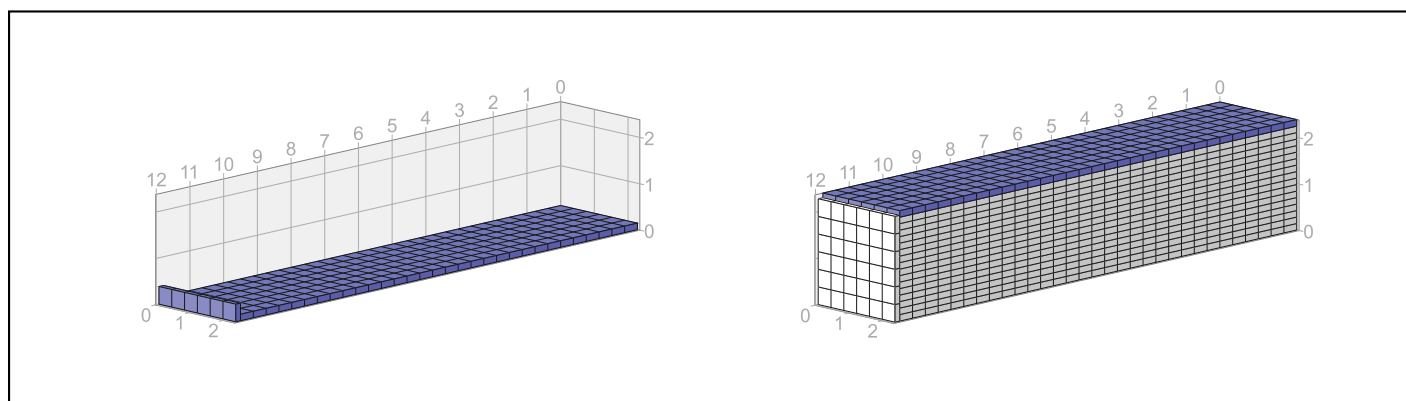


Model	Qty.	N.W.(kg)	G.W.(kg)	Meas(mm)
XJ-HBC100W-*	2Pcs/ctn	3.2	3.8	235x235x278
XJ-HBC150W-*	2Pcs/ctn	3.6	4.5	257x257x295
XJ-HBC200W-*	2Pcs/ctn	4.0	5.3	292x292x339
XJ-HBC240W-*	2Pcs/ctn	5.0	6.5	282x402x392

20ft



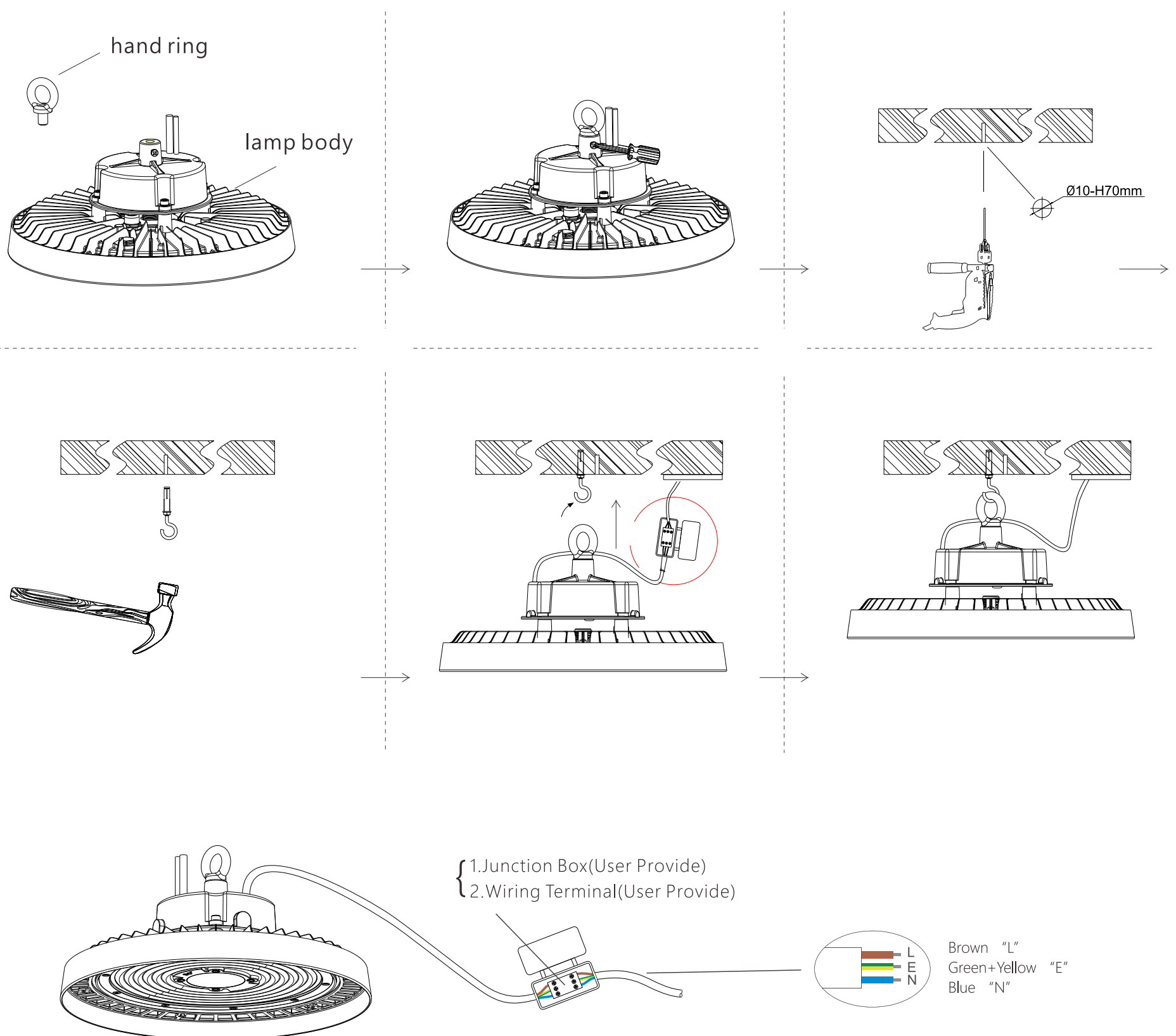
40ft



Model	Packaging volume	20ft container	40ft HQ	40ft GP
XJ-HBC100W-*	0.0077m ³	4000 PCS	8160 PCS	7200 PCS
XJ-HBC150W-*	0.0097m ³	3168 PCS	6624 PCS	5152 PCS
XJ-HBC200W-*	0.0145m ³	2240 PCS	4592 PCS	3360 PCS
XJ-HBC240W-*	0.0222m ³	1200 PCS	2520 PCS	2100 PCS

Note: Packing information is for reference only

Installation



Installation steps

- A: Open the packaging take out the lamp body and the hand ring;
- B: Install the hand ring, tighten the Screw with a Screwdriver;
- C: Drill a hole in ceiling;
- D: Insert the screw with hook into the hole;
- E: Install the luminaire onto the hook, and connect the wires as showing.
- E: Clean the lamp and complete the installation.

Note : Please make sure the power off before operation, Installation must be performed by skilled electrician who are familiar with the requirements and proper installation methods of LED luminaire. In order to avoid damage or hazard; The external flexible cable or cord of this luminaire can not be replaced, if the cord is damaged, the luminaire must be destroyed; The light source contained in this luminaire shall only be replaced by a qualified person;